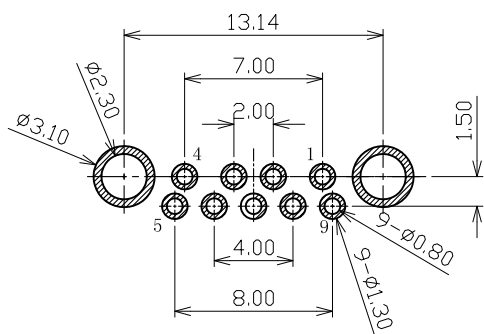
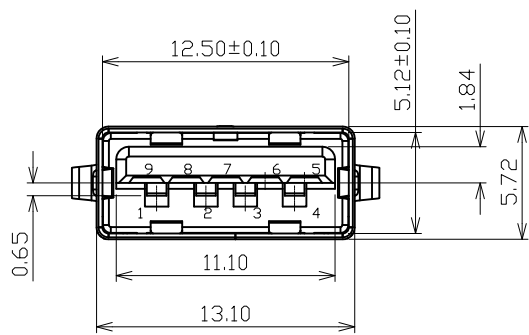


符合"DLK环境管理物质技术标准"

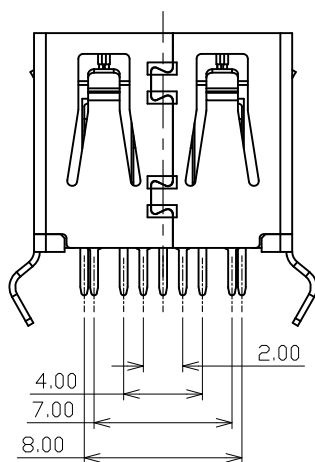
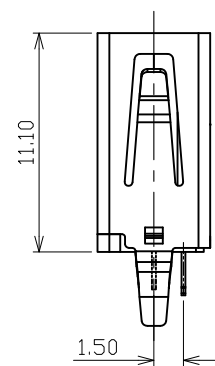
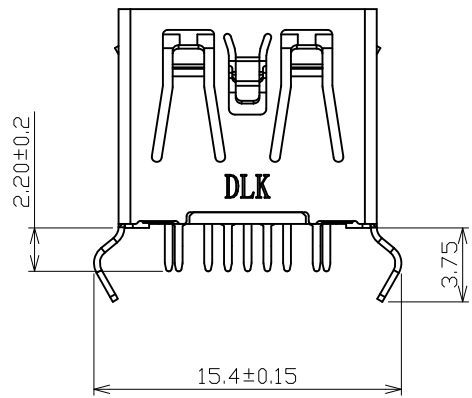
符合USB3.0协会规范标准"

工程变更通知单 ECN(DCN) NO.	版本 REV	日期 DATE	说明 DESCRIPTION	变更 CHANGE	核准 APPRO.
KSECN22046	A	20221024	NEW RELEASE	—	—
KSECN23007	B	20230303	依客户要求修改端子脚长为2.20±0.2	蒋召	吴豪



RECOMMENDED PCB LAYOUT
TOLERANCE: ±0.05mm

NOTE:
1. MATERIAL:
1.1 Housing: LCP UL94v-0, color: Black
1.2 Contact: Copper alloy
1.3 Shell: Stainless steel
2. PLATING:
2.1 Contact: 1u" Au plated on contact Area,50u" Min. Matte Tin plated on solder tail,50u" Min. Nickel underplated
2.2 Shell: Nickel plated overall
3. MECHANICAL:
3.1 Mating force:3.57kgf Max.
3.2 Unmating force:1.02kgf Min.
3.3 Durability:1500 cycles Min.
4 ELECTRICAL:
4.1 Current Rating:1.5A
4.2 Voltage Rating:36V
4.3 Dielectric strength:500V AC FOR 1 minute
4.4 Insulation Resistance:1000MΩMin.
4.5 Contact Resistance:30mΩMax
5. Operating Temperature:-55°C to +85°C
6. PACKING: Tray



3	CONTACT	9	Copper alloy	Au PLATED
2	SHELL	1	Stainless steel	Ni PLATED
1	HOUSING	1	LCP HF	BLACK UL94V-0
NO.	ITEM	Q'TY	DESCRIPTION	FINISH

GENERAL TOLERANCE UNLESS OTHERWISE NOTED	
Angle	±5°
X.	±0.35
.X	±0.25
.XX	±0.15
.XXX	±0.10
A4	

DLK 德力康电子科技有限公司
DLK DELIKANG ELECTRONICS TECHNOLOGY CO.,LTD

C 名称: USB3.0 AF180度插板式 11.1H
档案名称: C-U3A27-00-0M 料号: 22709B012M1

DRAWING: 蒋召 CHECKED: 覃智森 APPROVED: 吴豪

UNIT: mm SCALE: 1:1 SHEET: 1 of 1