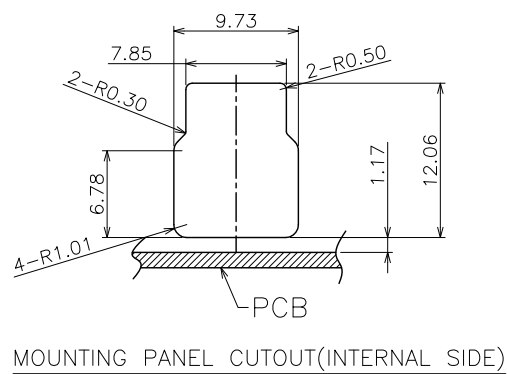
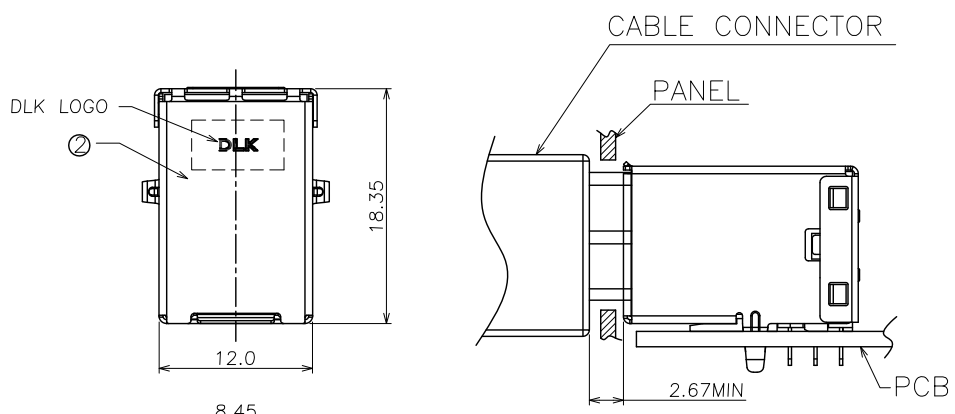


符合"DLK环境管理物质技术标准"

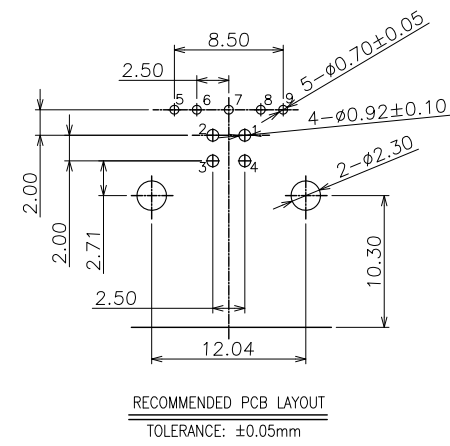
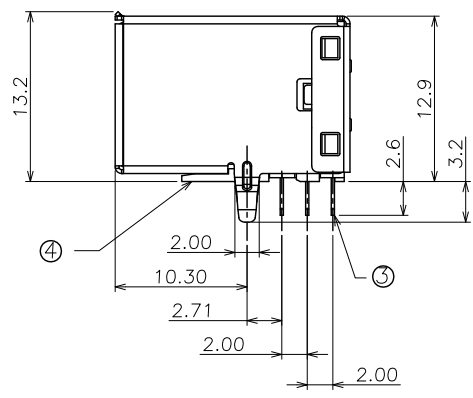
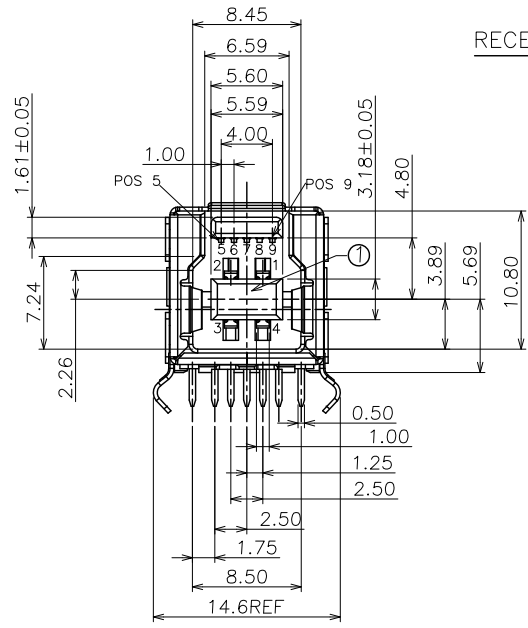
符合USB3.0协会规范标准"

|                         |           |            |                   |              |              |
|-------------------------|-----------|------------|-------------------|--------------|--------------|
| 工程变更通知单<br>ECN(DCN) NO. | 版本<br>REV | 日期<br>DATE | 说明<br>DESCRIPTION | 变更<br>CHANGE | 核准<br>APPRO. |
| KSECN17054              | A         | 20170913   | NEW RELEASE       | —            | —            |



RECESSED MOUNTING CONFIGURATION

MOUNTING PANEL CUTOUT (INTERNAL SIDE)



- NOTE:
- MATERIAL:
    - Housing: PA9T HF/PBT HF UL94v-0, color: Blue
    - Contact: Copper Alloy
    - Shell: Copper Alloy
  - PLATING:
    - Contact: 15u" Au plated on contact Area, 50u" Min. Matte Tin plated on solder tail, 50u" Min. Nickel underplated
    - Shell: Nickel plated overall
  - MECHANICAL:
    - Mating force: 3.57kgf Max.
    - Unmating force: 1.02kgf Min.
    - Durability: 1500 cycles Min.
  - ELECTRICAL:
    - Current Rating: 1.5A
    - Voltage Rating: 36V
    - Dielectric strength: 500V AC FOR 1 minute
    - Insulation Resistance: 1000MΩ Min.
    - Contact Resistance: 30mΩ Max
    - Operating Temperature: -55°C to +85°C
  - PACKING: Tray

|     |         |      |              |            |
|-----|---------|------|--------------|------------|
| 4   | COVER   | 1    | PA9T/PBT     | UL94V-0 无卤 |
| 3   | CONTACT | 9    | Copper Alloy | Au PLATED  |
| 2   | SHELL   | 1    | Copper Alloy | Ni PLATED  |
| 1   | HOUSING | 1    | PA9T/PBT     | UL94V-0 无卤 |
| NO. | ITEM    | Q'TY | DESCRIPTION  | FINISH     |

德力康电子科技有限公司  
DLK DELIKANG ELECTRONICS TECHNOLOGY CO.,LTD

|   |       |
|---|-------|
| GENERAL TOLERANCE<br>UNLESS OTHERWISE NOTED |       |
| Angle                                       | ±5°   |
| X.  | ±0.35 |
| .X  | ±0.25 |
| .XX   | ±0.15 |
| .XXX  | ±0.10 |
| A4  |       |

|                    |                          |                 |             |               |
|--------------------|--------------------------|-----------------|-------------|---------------|
| C 名称<br>TITLE:     | USB 3.0 BF 90° DIP 12.9H |                 |             |               |
| 档案名称<br>FILE NAME: | C-U3B22-02-HF            | 料号<br>PART NO.: | 32209L04221 |               |
| DRAWING            | 王永辉                      | CHECKED         | —           | APPROVED 严成旺  |
| UNIT:              | mm                       | SCALE           | 1:1         | SHEET: 1 of 1 |