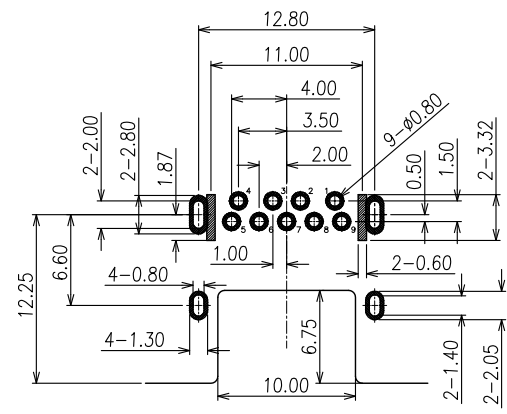
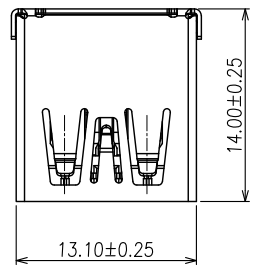


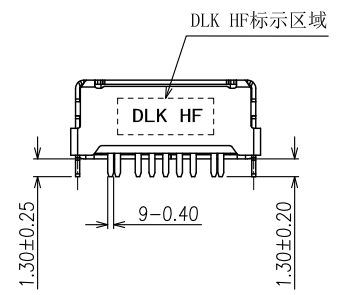
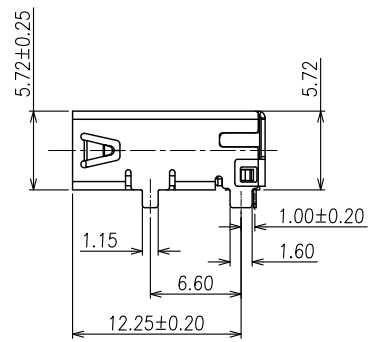
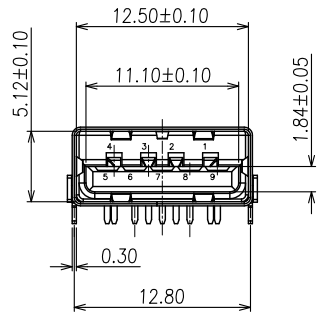
符合"DLK环境管理物质技术标准"

符合USB3.0协会规范标准"

工程变更通知单 ECN(DCN) NO.	版本 REV	日期 DATE	说明 DESCRIPTION	变更 CHANGE	核准 APPRO.
KSECN19056	A	20191018	NEW	—	—

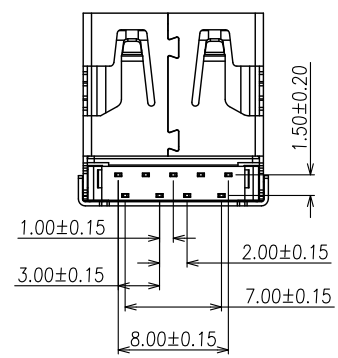


RECOMMENDED PCB LAYOUT
TOLERANCE: ±0.05mm



NOTE:

- MATERIAL:
 - Housing: LCP UL94v-0, color: Blue
 - Contact: Copper alloy
 - Shell: Stainless steel
- PLATING:
 - Contact: 30u" Au plated on contact Area, 50u" Min. Matte Tin plated on solder tail, 50u" Min. Nickel underplated
 - Shell: Nickel plated overall
- MECHANICAL:
 - Mating force: 3.57kgf Max.
 - Unmating force: 1.02kgf Min.
 - Durability: 1500 cycles Min.
- ELECTRICAL:
 - Current Rating: 1.5A
 - Voltage Rating: 36V
 - Dielectric strength: 500V AC FOR 1 minute
 - Insulation Resistance: 1000MΩ Min.
 - Contact Resistance: 30mΩ Max
- OPERATING TEMPERATURE: -55°C to +85°C
- PACKING: Tape & Reel



PIN NO.	SIGNAL NAME	DESCRIPTION	MATING SEQUENCE
1	VBUS	POWER	SECOND
2	D-	USB 2.0 DIFFERENTIAL PAIR	THIRD
3	D+	DIFFERENTIAL PAIR	THIRD
4	GND	GROUND FOR POWER RETURN	SECOND
5	StdA_SSRX-	SUPERSPEED RECEIVER DIFFERENTIAL PAIR	LAST
6	StdA_SSRX+	DIFFERENTIAL PAIR	
7	GND_DRAIN	GROUND FOR SIGNAL RETURN	
8	StdA_SSTX-	SUPERSPEED TRANSMITTER DIFFERENTIAL PAIR	
9	StdA_SSTX+	DIFFERENTIAL PAIR	
SHELL	SHIELD	CONNECTOR METAL SHELL	FRIST

GENERAL TOLERANCE UNLESS OTHERWISE NOTED

Angle	±5°
.X	±0.35
.X	±0.25
.XX	±0.15
.XXX	±0.10

DLK 德力康电子科技有限公司
DLK DELIKANG ELECTRONICS TECHNOLOGY CO.,LTD

C 名称 TITLE:	USB 3.1 A/F R/A 5.72H RVS.			
档案名称 FILE NAME:	C-U3A20-00-0Q	料号 PART NO:	22009L052Q1	
DRAWING	王永辉	CHECKED	APPROVED	严成旺
UNIT:	mm	SCALE	1:1	SHEET: 1 of 1

4	COVER	1	LCP	UL94V-0 BLUE
3	CONTACT	9	Copper alloy	Au PLATED
2	SHELL	1	Stainless steel	Ni PLATED
1	HOUSING	1	LCP	UL94V-0 BLUE
NO.	ITEM	Q'TY	DESCRIPTION	FINISH