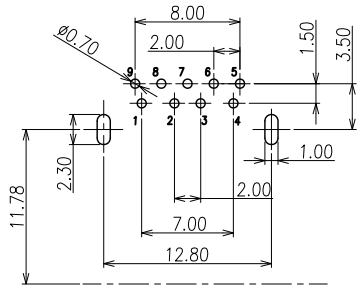
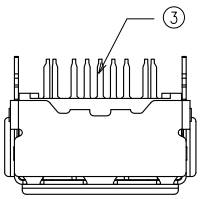
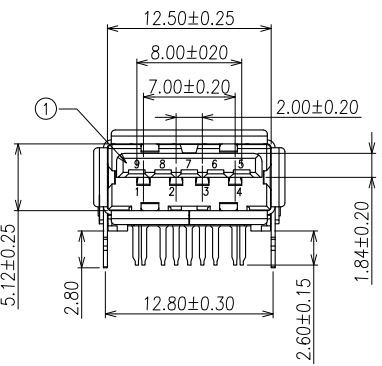
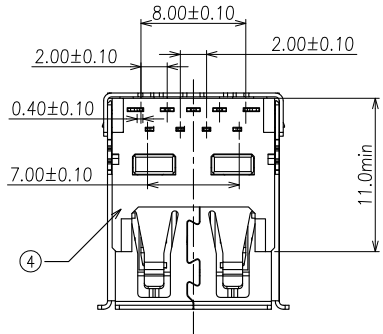
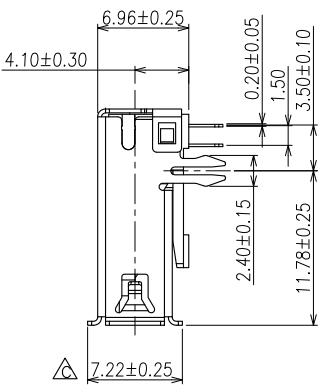
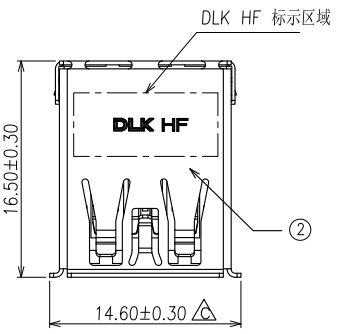


符合"DLK环境管理物质技术标准"
符合USB3.0协会规范标准"

工程变更通知单 ECN(DCN) NO.	版本 REV	日期 DATE	说明 DESCRIPTION	变更 CHANGE	核准 APPRO.
KSECN19039	B	20190722	依实物更新图面	覃智森	王永辉
KSECN19042	C	20191017	依客户要求将翻边14.0mm改为14.6mm 6.70mm改为7.22mm	王永辉	严成旺
KSECN23028	D	20230828	修改电镀规格	蒋召	段国强



RECOMMENDED PCB LAYOUT
TOLERANCE: $\pm 0.05\text{mm}$



NOTE:
 1. MATERIAL:
 1.1 Housing: LCP UL94v-0, color: Blue
 1.2 Contact: Phosphor bronze
 1.3 Shell: Stainless steel
 2. PLATING:
 2.1 Contact: 15u" Au plated on contact Area, 50u" Min. Matte Tin plated on solder tail, 50u" Min. Nickel underplated
 2.2 Shell: Nickel plated overall
 3. MECHANICAL:
 3.1 Mating force: 3.57kgf Max.
 3.2 Unmating force: 1.02kgf Min.
 3.3 Durability: 1500 cycles Min.
 4. ELECTRICAL:
 4.1 Current Rating: 1.5A
 4.2 Voltage Rating: 36V
 4.3 Dielectric strength: 500V AC FOR 1 minute
 4.4 Insulation Resistance: 1000MQ Min.
 4.5 Contact Resistance: 30mQ Max
 5. Operating Temperature: -55°C to +85°C
 6. PACKING: Tray

NO.	ITEM	Q'TY	DESCRIPTION	FINISH
4	COVER	1	LCP	UL94V-0
3	CONTACT	9	Phosphor bronze	Au PLATED
2	SHELL	1	Stainless steel	Ni PLATED
1	HOUSING	1	LCP	UL94V-0

GENERAL TOLERANCE UNLESS OTHERWISE NOTED	
Angle	$\pm 5^\circ$
.X	± 0.35
.XX	± 0.25
.XXX	± 0.15
.XXX	± 0.10

德力康电子科技有限公司
DLK DELIKANG ELECTRONICS TECHNOLOGY CO.,LTD

C	名称 TITLE:	USB 3.0 A/F R/A 6.96H STD.			
	档案名称 FILE NAME:	C-U3A20-00-00	料号 PART NO:	22009L04201	
	DRAWING	覃智森	CHECKED	APPROVED	严成旺
	UNIT:	mm	SCALE	1:1	SHEET: 1 of 1