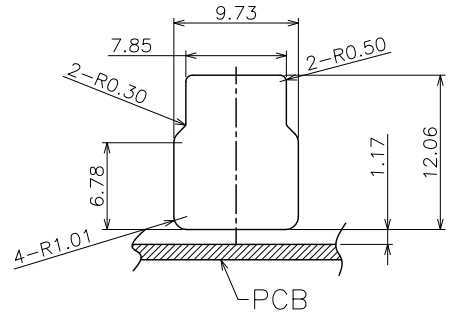
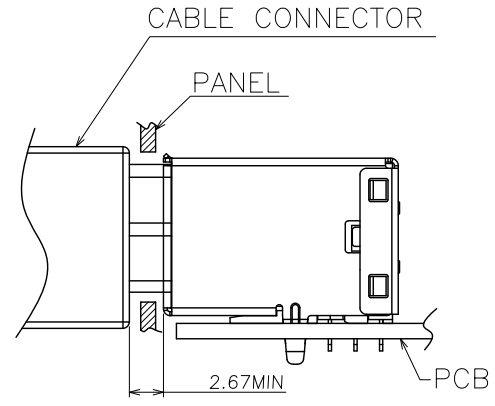
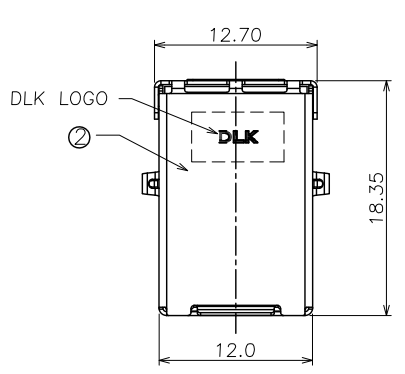


符合"DLK环境管理物质技术标准"

符合USB3.0协会规范标准"

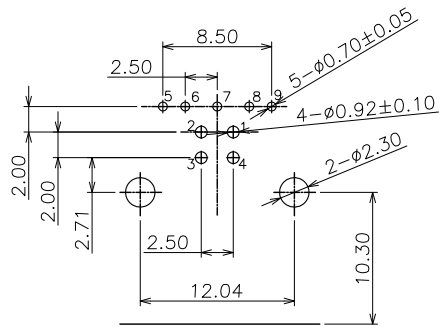
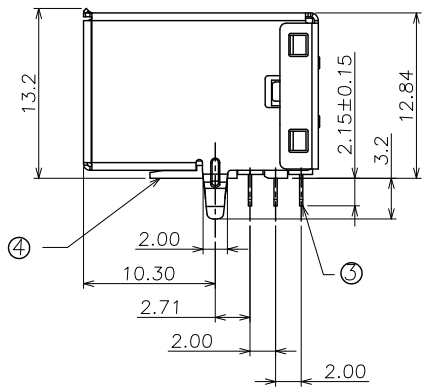
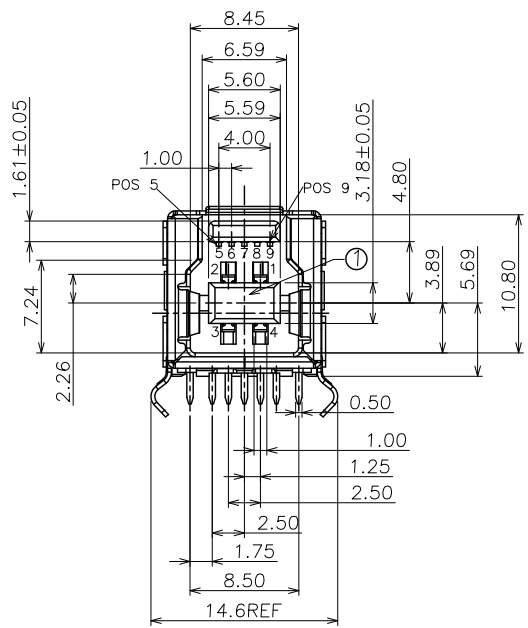
工程变更通知单 ECN(DCN) NO.	版本 REV	日期 DATE	说明 DESCRIPTION	变更 CHANGE	核准 APPRO.
KSECN20041	A	20200902	NEW RELEASE	—	—



RECESSED MOUNTING CONFIGURATION

MOUNTING PANEL CUTOUT(INTERNAL SIDE)

NOTE:
 1. MATERIAL:
 1.1 Housing: PA9T HF UL94v-0, color: Blue
 1.2 Contact: Copper Alloy
 1.3 Shell: Iron
 2. PLATING:
 2.1 Contact: 1u" Au plated on contact Area,50u" Min. Matte Tin plated on solder tail,50u" Min. Nickel underplated
 2.2 Shell: Nickel plated overall
 3. MECHANICAL:
 3.1 Mating force:3.57kgf Max.
 3.2 Unmating force:1.02kgf Min.
 3.3 Durability:1500 cycles Min.
 4 ELECTRICAL:
 4.1 Current Rating:1.5A
 4.2 Voltage Rating:36V
 4.3 Dielectric strength:500V AC FOR 1 minute
 4.4 Insulation Resistance:1000MΩ Min.
 4.5 Contact Resistance:30mΩ Max
 5. Operating Temperature:-55°C to +85°C
 6. PACKING: Teay



RECOMMENDED PCB LAYOUT
TOLERANCE: ±0.05mm

4	COVER	1	PA9T	UL94V-0 BLACK 无卤
3	CONTACT	9	Copper Alloy	Au PLATED
2	SHELL	1	Iron	Ni PLATED
1	HOUSING	1	PA9T	UL94V-0 BLUE 无卤
NO.	ITEM	Q'TY	DESCRIPTION	FINISH

DLK 德力康电子科技有限公司
 DELIKANG ELECTRONICS TECHNOLOGY CO.,LTD

GENERAL TOLERANCE UNLESS OTHERWISE NOTED	
Angle	±5°
X.	±0.35
.X	±0.25
.XX	±0.15
.XXX	±0.10

C 名称 TITLE:	USB 3.0 BF 90° DIP			
档案名称 FILE NAME.	C-U3B22-06-HF	料号 PART NO.:	32209L01261	
DRAWING	覃智森	CHECKED	—	APPROVED 严成旺
UNIT:	mm	SCALE	1:1	SHEET: 1 of 1