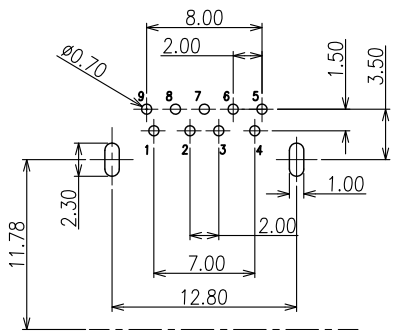
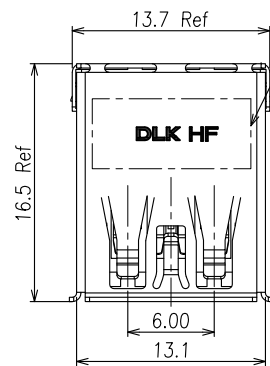


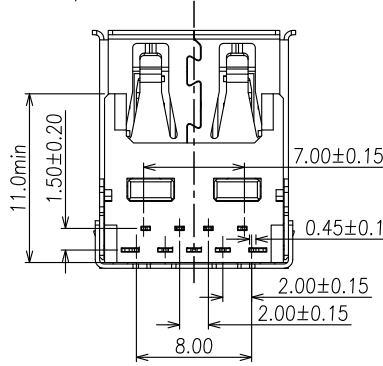
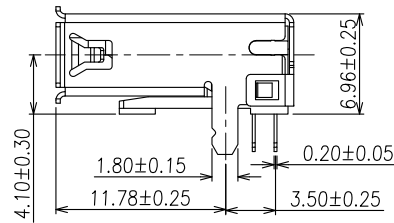
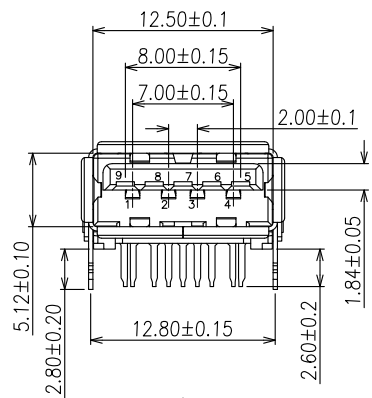
符合"DLK环境管理物质技术标准"

符合USB3.0协会规范标准"

DLK 标示区域



RECOMMENDED PCB LAYOUT
TOLERANCE: $\pm 0.05\text{mm}$



工程变更通知单 ECN(DCN) NO.	版本 REV	日期 DATE	说明 DESCRIPTION	变更 CHANGE	核准 APPRO.
KSECN17061	A	20171018	NEW RELEASE	—	—
KSECN23028	B	20230828	修改电镀规格 Δ *1	蒋召	段国强

NOTE:

- MATERIAL:
 - Housing: LCP UL94v-0, color: Blue
 - Contact: Phosphor bronze
 - Shell: Stainless steel
- PLATING:
 - Contact: 15u" Au plated on contact Area, 50u" Min. Matte Tin plated on solder tail, 50u" Min. Nickel underplated
 - Shell: Nickel plated overall
- MECHANICAL:
 - Mating force: 3.57kgf Max.
 - Unmating force: 1.02kgf Min.
 - Durability: 1500 cycles Min.
- ELECTRICAL:
 - Current Rating: 1.5A
 - Voltage Rating: 36V
 - Dielectric strength: 500V AC FOR 1 minute
 - Insulation Resistance: 1000M Ω Min.
 - Contact Resistance: 30m Ω Max
 - Operating Temperature: -55 $^{\circ}$ c to +85 $^{\circ}$ c
- PACKING: Tape & Reel

NO.	ITEM	Q'TY	DESCRIPTION	FINISH
4	COVER	1	LCP	UL94V-0
3	CONTACT	9	Phosphor bronze	Au PLATED
2	SHELL	1	Stainless steel	Ni PLATED
1	HOUSING	1	LCP	UL94V-0

GENERAL TOLERANCE UNLESS OTHERWISE NOTED	
Angle	$\pm 5^{\circ}$
X.	± 0.35
.X	± 0.25
.XX	± 0.15
.XXX	± 0.10

DLK 德力康电子科技有限公司
DLK DELIKANG ELECTRONICS TECHNOLOGY CO.,LTD

C	名称 TITLE:	USB 3.0 A/F R/A 6.96H STD.			
	档案名称 FILE NAME:	C-U3A20-00-0J	料号 PART NO:	22009L042J1	
	DRAWING	王永辉	CHECKED	APPROVED	严成旺
	UNIT:	mm	SCALE	1:1	SHEET: 1 of 1