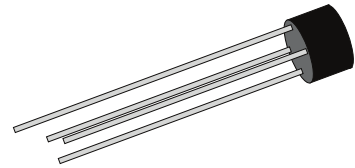


# GSR2W005 thru GSR2W10

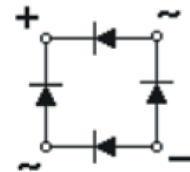
Fast Recovery Bridge Rectifiers  
 Reverse Voltage 50V to 1000V Forward Current 2.0A

## Features

- Low profile package
- Glass passivated die
- Silver plated copper leads
- Surge overload rating of 60 Amps
- Classification rating 94V-0



WOB



Schematic Diagram

## Absolute Maximum Ratings and Electrical Characteristics

(@=25°C unless otherwise noted)

Parameter	Symbol	GSR2 W005	GSR2 W01	GSR2 W02	GSR2 W04	GSR2 W06	GSR2 W08	GSR2 W10	Units
Maximum Recurrent Peak Reverse Voltage	$V_{RRM}$	50	100	200	400	600	800	1000	V
Maximum RMS Voltage	$V_{RMS}$	35	70	140	280	420	560	700	V
Maximum DC Blocking Voltage	$V_{DC}$	50	100	200	400	600	800	1000	V
Average Forward Current at $T_J=25^\circ\text{C}$	$I_{F(AV)}$	2.0							A
Peak Forward Surge Current, 8.3ms, Half Sine	$I_{FSM}$	50.0							A
Maximum Forward Voltage Drop Per Element at $I_F=2.0A$ , $T_J=25^\circ\text{C}$ <sup>1</sup>	$V_F$	1.3							V
Maximum DC Reverse Current at Rated DC Blocking Voltage	$T_J=25^\circ\text{C}$	$I_R$	10						$\mu\text{A}$
	$T_J=100^\circ\text{C}$		1						mA
Max. Reverse Recovery Time	GSR2W005-GSR2W04	$T_{RR}$	200						nS
	GSR2W06		350						
	GSR2W08-GSR2W10		500						
Typical Thermal Resistance, Junction To Ambient	$R_{\theta JA}$	40							$^\circ\text{C/W}$
Operating Temperature Range	$T_J$	-55 to +125							$^\circ\text{C}$
Storage Temperature Range	$T_{STG}$	-55 to +150							$^\circ\text{C}$

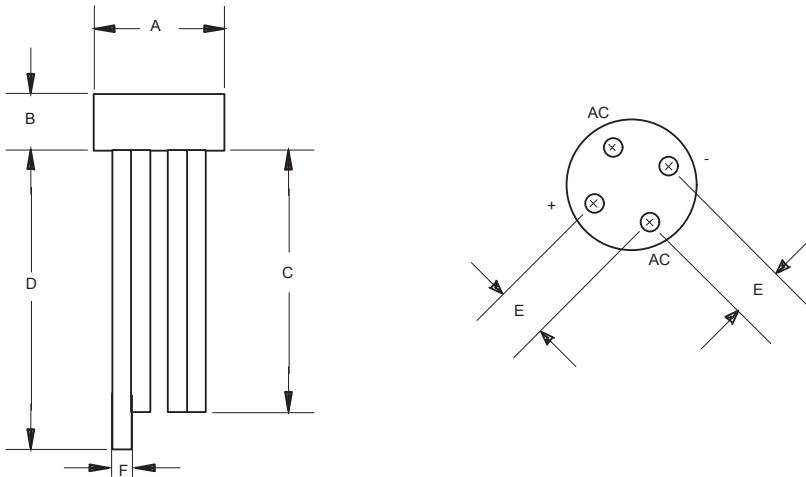
Note:

1. Pulse test: Pulse width 300 $\mu$  sec, Duty cycle 2%.

# GSR2W005 thru GSR2W10

Fast Recovery Bridge Rectifiers  
 Reverse Voltage 50V to 1000V Forward Current 2.0A

## Package Outline Dimensions (WOB)



Symbol	Dimensions In Millimeters		Dimensions In Inches	
	Min.	Max.	Min.	Max.
A	-	9.60	-	0.378
B	-	5.50	-	0.217
C	17.5	-	0.689	-
D	20.5	-	0.807	-
E	4.60	5.60	0.181	0.220
F	0.70	0.80	0.028	0.031

## Order Information

Device	Package	Marking Code	Quantity	HSF Status
GSR2W005	WOB	R2W005	1,000pcs / Box	RoHS Compliant
GSR2W01	WOB	R2W01	1,000pcs / Box	RoHS Compliant
GSR2W02	WOB	R2W02	1,000pcs / Box	RoHS Compliant
GSR2W04	WOB	R2W04	1,000pcs / Box	RoHS Compliant
GSR2W06	WOB	R2W06	1,000pcs / Box	RoHS Compliant
GSR2W08	WOB	R2W08	1,000pcs / Box	RoHS Compliant
GSR2W10	WOB	R2W10	1,000pcs / Box	RoHS Compliant