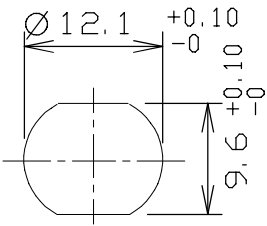
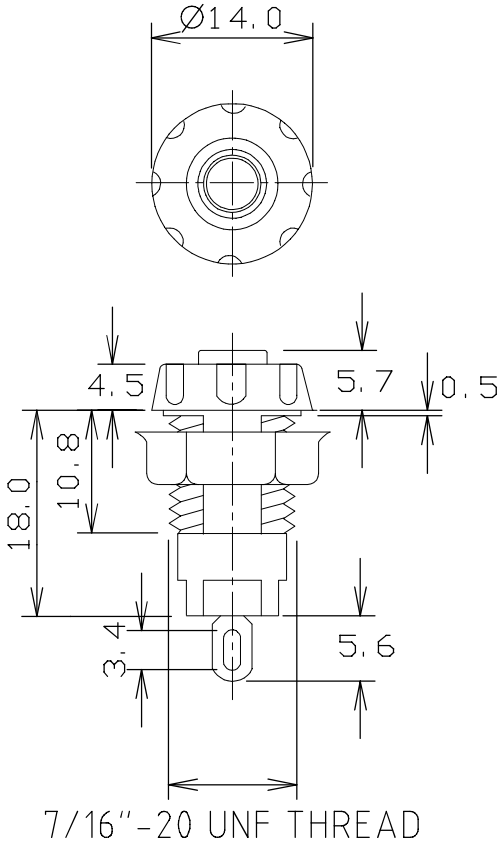


CLIFF

4mm PANEL SOCKET S16C



PANEL MOUNTING HOLE DETAILS

Rated 1000V, 30A maximum, CAT III.



FCR14460
4mm PANEL SOCKET S16C BLACK WITH NUT



FCR14461
4mm PANEL SOCKET S16C RED WITH NUT



FCR14462
4mm PANEL SOCKET S16C YELLOW WITH NUT



FCR14463
4mm PANEL SOCKET S16C BLUE WITH NUT



FCR144635
4mm PANEL SOCKET S16C BROWN WITH NUT



FCR14464
4mm PANEL SOCKET S16C GREY WITH NUT



FCR14465
4mm PANEL SOCKET S16C GREEN WITH NUT



FCR14467
4mm PANEL SOCKET S16C WHITE WITH NUT

© CLIFF 01/2023 ISS.2

For further information, contact sales@cliffuk.co.uk

