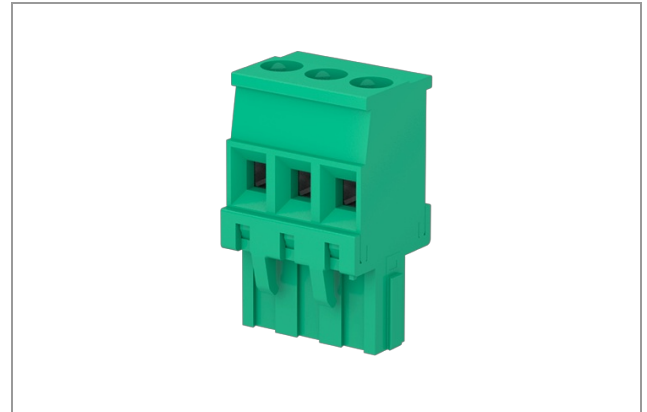


CVF020M5 - Plug

Number of poles: 2, Clamp tightening, 15A, 2.5mm², 12AWG, 300V, Pitch 5,08 mm, Modular, Wiring mode Right, Green (RAL 6032), Soldering technology Not applicable, UL, IMQ, CSA



Number of poles:	2
Number of levels:	1
Sides configuration:	Modular
Pitch:	5,08 mm
Voltage:	300 V
Current :	15 A
Wire section:	0.05 ÷ 2.5 mm ² / 30 ÷ 12 AWG
Available approvals:	UL, IMQ, CSA

General Data

Features

Screw dimension	M3
Stripping length	7.5 mm
Operating temperature range	-40°C ÷ 105°C
Contact resistance	<15 mOhm
Insulation resistance	>1 GOhm

Certifications

CSA (n.LR 102896)

Rated voltage	300 V
Nominal current	15 A
Wire section	12 AWG

IMQ (n.EM672)

Rated voltage	300 V		
Nominal current	12 A		
Wire section	2.5 mm ²		
Insulating category	I		
Overvoltage category/Pollution degree	III/3	III/2	II/2
Impulse voltage	4kV	4kV	4kV
Rated voltage	250V	300V	600V
Insulation voltage	250V	320V	630V

UL (n.E167473)

Usage Group	B	C	D*
Rated voltage	300 V	-	300 V
Nominal current	15 A		
Wire section	12 AWG		

* These limited ratings are applicable to a terminal block for use in or with industrial control equipment whereby the load on any single circuit of the terminal block does not exceed 15A at 51-150V, 10A at 151-300V, or 5A at 301-600V, or the maximum ampere rating, whichever is less.

Materials

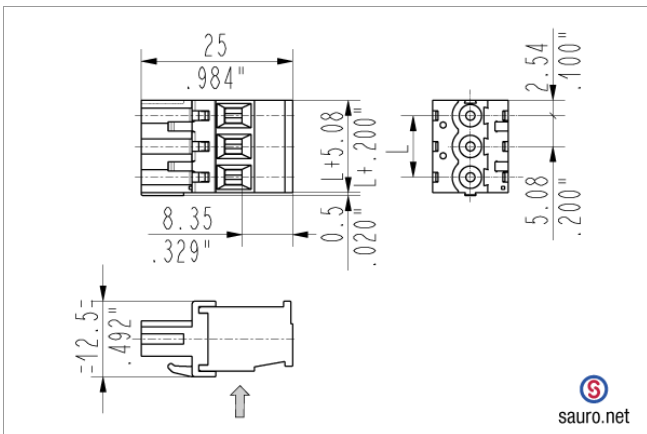
Components

Screw material	Nickel-plated copper alloy
Spring contact	Tin-plated copper alloy
Clamp tightening	Nickel-plated copper alloy
Insulating housing material	PA Polyamide
Insulating material group	I (CTI \geq 600V)
Self-extinguishing class UL94	V0

Available colors

green	(similar to RAL 6032)
black	(similar to RAL 9005)
light grey	(similar to RAL 7035)
dark gray	(similar to RAL 7040)
orange	(similar to RAL 2003)
blue	(similar to RAL 5012)
red	(similar to RAL 3017)
another colors	(on demand)

Technical drawing



Derating curve

