



SPECIFICATION SHEET : PART #W012

Steel Washer with countersunk hole

Size : $\frac{3}{4}$ " diameter x $\frac{1}{8}$ " thick

Tolerances : +/- .008"

Material : **Steel**

Grade of Neodymium : **N/A**

Plating/Coating : **Zinc**

BHmax :

Max Temperature : **80°C / 176F**

Magnetization Direction : **This part is not a magnet**

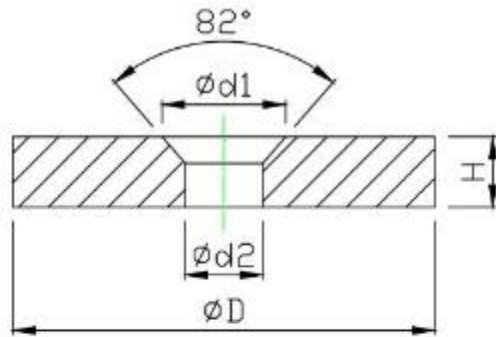
Surface Gauss : N/A

Pull force : N/A

Unit Weight : **4.81 g**

Simple and comprehensive magnetic solutions at affordable cost!

<https://simplesignman.ca> / <https://simplesignmanmagnet.com>



washer	D	H	d1	d2
$D\frac{3}{4} \times \frac{1}{8}$	3/4"	1/8"	0.220"	0.138"
$D1 \times \frac{1}{8}$	1.000"	1/8"	0.420"	0.200"

Simple and comprehensive magnetic solutions at affordable cost!

<https://simplesignman.ca> / <https://simplesignmanmagnet.com>