



SPECIFICATION SHEET : PART #W106

Steel Washer with countersunk hole

Size : **1.26" diameter x 1/8" thick**

Tolerances : **+/- .1mm**

Material : **Low Carbon Steel**

Grade of Neodymium : **N/A**

Plating/Coating : **Zinc**

BHmax :

Max Temperature : **80°C / 176F**

Magnetization Direction : **This part is not a magnet**

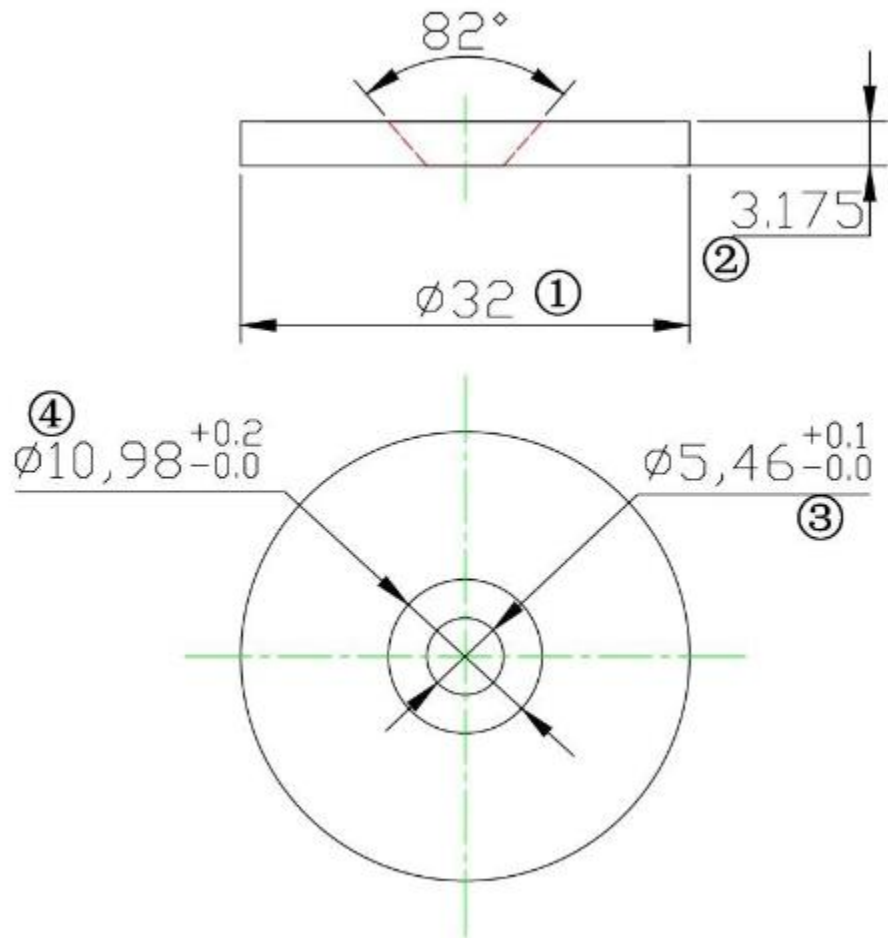
Surface Gauss : **N/A**

Pull force : **N/A**

Unit Weight : **8.11 g**

Simple and comprehensive magnetic solutions at affordable cost!

<https://simplesignman.ca> / <https://simplesignmanmagnet.com>



Simple and comprehensive magnetic solutions at affordable cost!

<https://simplesignman.ca> / <https://simplesignmanmagnet.com>