



SPECIFICATION SHEET : PART #SC008

Steel Cup with countersunk hole for Part #D008P04

Size : $\frac{3}{4}$ " diameter x $\frac{1}{4}$ " thick

Tolerances : +/- .008"

Material : **Steel**

Grade of Neodymium : **N/A**

Plating/Coating : **Zinc**

BHmax :

Max Temperature : **80°C / 176F**

Magnetization Direction : **This part is not a magnet**

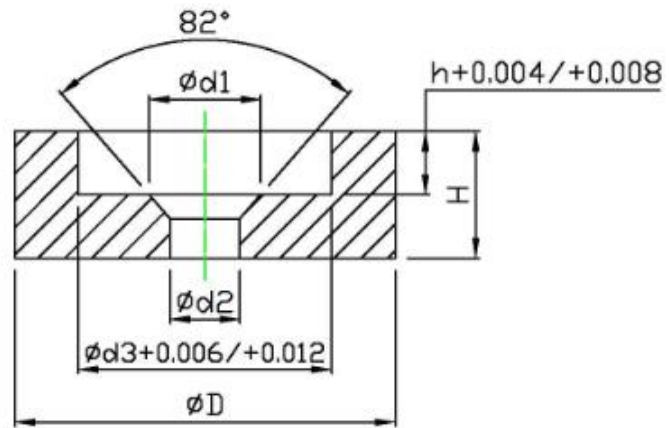
Surface Gauss : N/A

Pull force : N/A

Unit Weight : **3.02 g**

Simple and comprehensive magnetic solutions at affordable cost!

<https://simplesignman.ca> / <https://simplesignmanmagnet.com>



cup	D	H	h	d1	d2	d3
D ₃ X ₄	3/4"	1/4"	1/8"	0.220"	0.138"	1/2"

Simple and comprehensive magnetic solutions at affordable cost!

<https://simplesignman.ca> / <https://simplesignmanmagnet.com>