



WR-19 Waveguide Fixed Attenuator, 30 dB, From 40 GHz to 60 GHz, UG-383/U-Mod Round Cover Flange

## Waveguide Fixed Attenuators Technical Data Sheet

PEWAT1003-30

### Features

- WR-19
- 40 to 60 GHz
- 30 dB fixed attenuation at center frequency
- UG-383/U-Mod Round Cover Flange
- Gold Plated Brass

### Applications

- Instrumentation
- System Calibration
- Research and Development
- Test Benches

### Description

PEWAT1003 is a WR-19 waveguide attenuator with 30 dB fixed attenuation, operating in the 40 to 60 GHz (U band) frequency range. The attenuator uses an UG-383/U-Mod Round Cover flange that is Gold Plated Brass. Pasternack offers standard mid-band tuned Waveguide Fixed Attenuators with attenuation values of 1 to 30 dB in 1 dB steps, as well as custom values and custom band tuning upon request.

### Electrical Specifications

Description	Minimum	Typical	Maximum	Units
Frequency Range	40		60	GHz
Nominal Attenuation		30		dB

### Mechanical Specifications

Description	Flange 1	Waveguide	Flange 2
Interface	UG-383/U-Mod	WR-19	UG-383/U-Mod
Material	Brass	Brass	Brass
Plating	Gold	Gold	Gold

**Compliance Certifications** (see [product page](#) for current document)

### Plotted and Other Data

Notes:

Click the following link (or enter part number in "SEARCH" on website) to obtain additional part information including price, inventory and certifications: [WR-19 Waveguide Fixed Attenuator, 30 dB, From 40 GHz to 60 GHz, UG-383/U-Mod Round Cover Flange PEWAT1003-30](#)

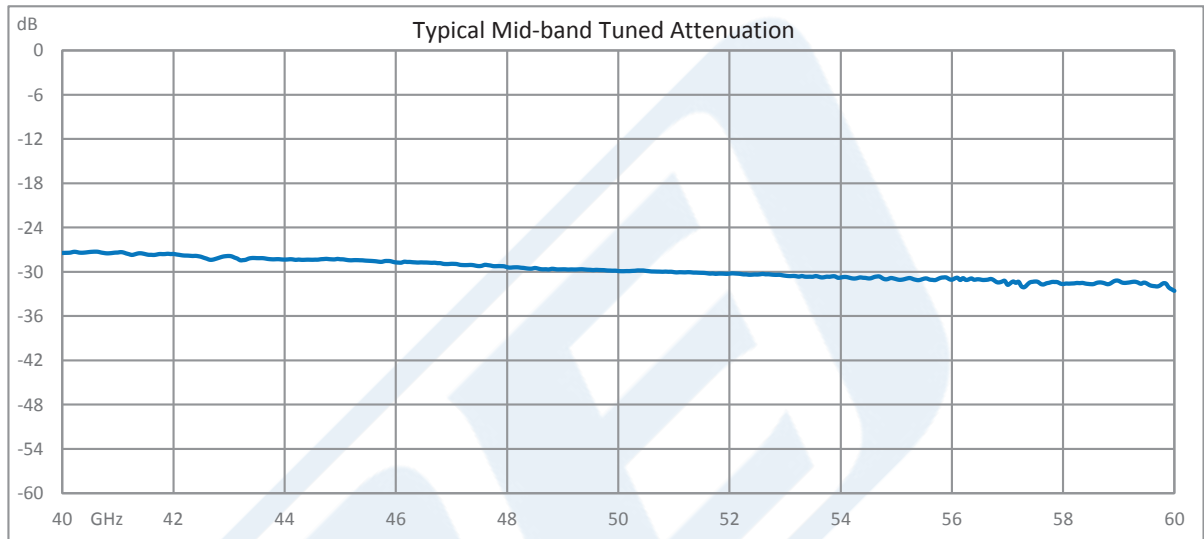


WR-19 Waveguide Fixed Attenuator, 30 dB, From 40 GHz to 60 GHz, UG-383/U-Mod Round Cover Flange

## Waveguide Fixed Attenuators Technical Data Sheet

PEWAT1003-30

### Typical Performance Data



WR-19 Waveguide Fixed Attenuator, 30 dB, From 40 GHz to 60 GHz, UG-383/U-Mod Round Cover Flange from Pasternack Enterprises has same day shipment for domestic and International orders. Our RF, microwave and millimeter wave products maintain a 99.4% availability and are part of the broadest selection in the industry.

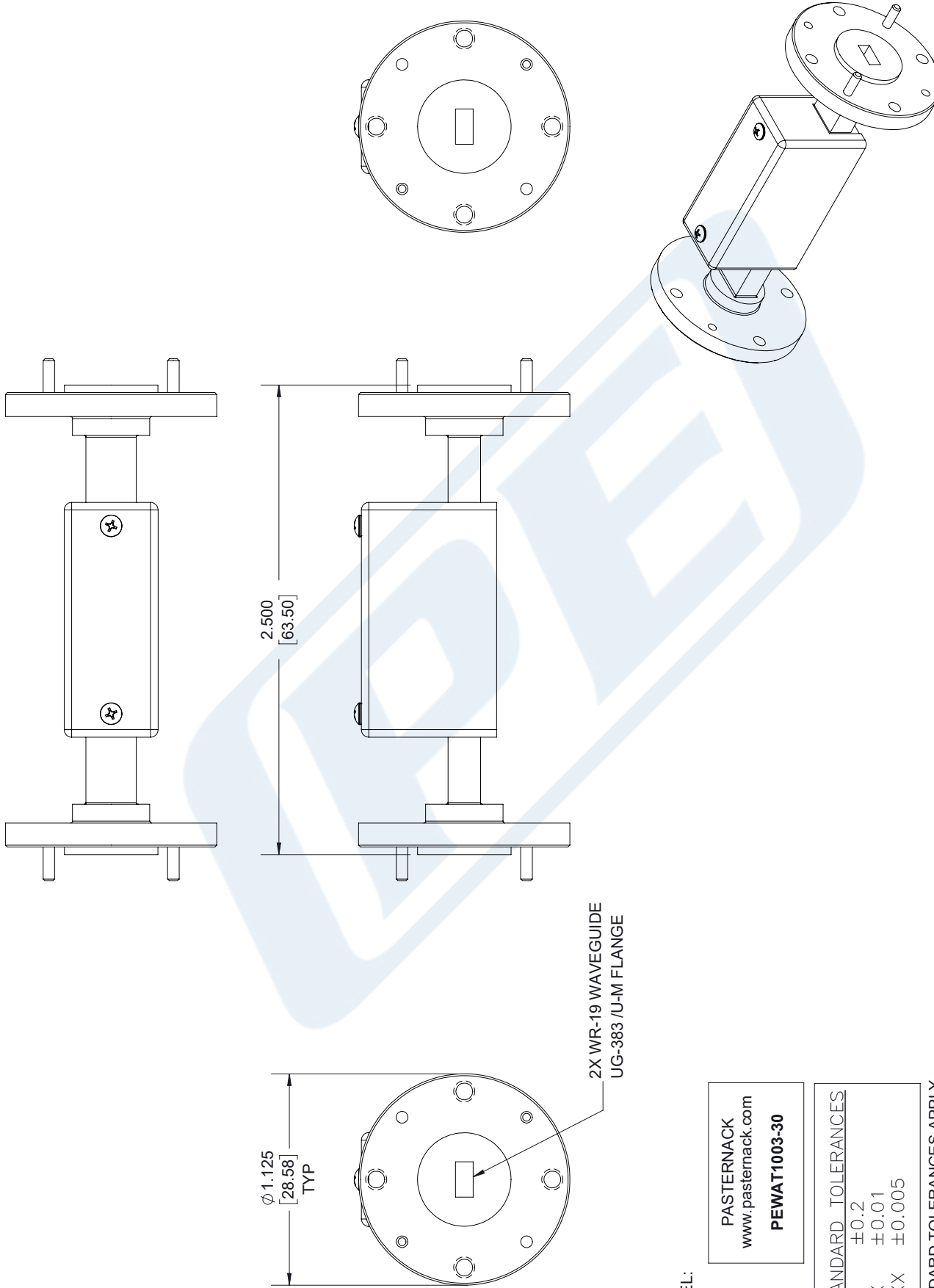
Click the following link (or enter part number in "SEARCH" on website) to obtain additional part information including price, inventory and certifications: [WR-19 Waveguide Fixed Attenuator, 30 dB, From 40 GHz to 60 GHz, UG-383/U-Mod Round Cover Flange PEWAT1003-30](https://www.pasternack.com/wr-19-waveguide-fixed-attenuator-30-db-60-ghz-pewat1003-30-p.aspx)

URL: <https://www.pasternack.com/wr-19-waveguide-fixed-attenuator-30-db-60-ghz-pewat1003-30-p.aspx>

The information contained in this document is accurate to the best of our knowledge and representative of the part described herein. It may be necessary to make modifications to the part and/or the documentation of the part, in order to implement improvements. Pasternack reserves the right to make such changes as required. Unless otherwise stated, all specifications are nominal. Pasternack does not make any representation or warranty regarding the suitability of the part described herein for any particular purpose, and Pasternack does not assume any liability arising out of the use of any part or documentation.

# PEWAT1003-30 CAD Drawing

WR-19 Waveguide Fixed Attenuator, 30 dB, From 40 GHz to 60 GHz, UG-383/U-Mod Round Cover Flange



2.500  
[63.50]

Ø1.125  
[28.58]  
TYP

2X WR-19 WAVEGUIDE  
UG-383 /U-M FLANGE

LABEL:

PASTERNAK  
www.pasternack.com  
PEWAT1003-30

STANDARD TOLERANCES	
.X	±0.2
.XX	±0.01
.XXX	±0.005

\*STANDARD TOLERANCES APPLY ONLY TO DIMENSIONS IN INCHES



Pasternack Enterprises, Inc.  
P.O. Box 16759 | Irvine | CA | 92623  
Phone: (949) 261-1920 | Fax: (949) 261-7451  
Website: www.pasternack.com | E-Mail: sales@pasternack.com

DWG TITLE

PEWAT1003-30

CAGE CODE 53919

NOTES:  
1. UNLESS OTHERWISE SPECIFIED ALL DIMENSIONS ARE NOMINAL.  
2. ALL SPECIFICATIONS ARE SUBJECT TO CHANGE WITHOUT NOTICE AT ANY TIME  
3. DIMENSIONS ARE IN INCHES [mm].

CAD FILE 101317

SCALE N/A

SIZE A

7361