



4 Cellular, 4 Wi-Fi, 1 GPS Combination Antenna 4 N Type, 4 RP SMA, 1 SMA Connector Black

Antennas Technical Data Sheet

PEANOM1116

Features

- 4 x Cellular 4G/5G N Male
- 4 x Wi-Fi 2.4 GHz / 5 GHz RPSMA Male
- 1 x GPS L1 / G1 SMA Male
- MIMO Capable
- 17 ft Cable Leads
- Indoor/Outdoor IP69K Rated
- UV Stabilized Black ABS

Applications

- Public Safety
- Emergency Services
- Mobile Base Stations
- Autonomous Vehicles
- Fleet Management
- Smart Cities
- Smart Utilities
- Industrial IoT

Description

The Pasternack PEANOM1116 is a 9-in-1 combination antenna designed for public safety, emergency services, mobile base stations, autonomous vehicles, fleet management, smart cities, smart utilities, or industrial IoT applications. This vertically polarized omnidirectional antenna has N male, SMA male and RPSMA male connectors with 17 feet cable leads. Our high-quality mobile antenna with 9 ports has a typical input VSWR of 2:1.

The IoT combination antenna from Pasternack has an overall length of 7 inches, width of 7 inches, and weight of 4 lbs. This PEANOM1116 mobile antenna is IP69K-rated and has a black-colored radome made of UV-stabilized ABS. The 4 cellular, 4 Wi-Fi, 1 GPS combination antenna has an impedance of 50 Ohms and a maximum input power of 10 Watts.

Our vertically polarized mobile antenna can operate at temperatures ranging from -40 to 70 degrees C. This MIMO-capable IoT antenna features four 4G/5G, four 2.4/5 GHz, and one L1/G1 GPS band elements in one radome. Emergency services, first responders, and fleets can rely on our 9-in-1 combination antenna to maintain a secure link between vehicles and dispatch centers.

Configuration

Design	Mobile
Radiation Pattern	Directional
Polarization	Vertical
Connector Type	N Male
Interface 2	SMA Male Reverse Polarity
Interface 3	SMA Male
Number of Ports	9

Electrical Specifications

Description	Minimum	Typical	Maximum	Units
Input VSWR		2:1		
Impedance		50		Ohms
Gain		26		dBi
Input Power			10	Watts

Click the following link (or enter part number in "SEARCH" on website) to obtain additional part information including price, inventory and certifications: [4 Cellular, 4 Wi-Fi, 1 GPS Combination Antenna 4 N Type, 4 RP SMA, 1 SMA Connector Black PEANOM1116](#)



4 Cellular, 4 Wi-Fi, 1 GPS Combination Antenna 4 N Type, 4 RP SMA, 1 SMA Connector Black

Antennas Technical Data Sheet

PEANOM1116

Cellular Specifications					
Frequency Range	617 - 960	1690 - 2700	3300 - 4200	4900 - 6000	MHz
Peak Gain	4	6	7	8	dBi
Port Count	4				
Cable Type	RG58				
Cable Length	17 [5]				ft [m]
Connector Type	N Male				
Wi-Fi Specifications					
Frequency Range	2400 - 2500		4900 - 6000		MHz
Peak Gain	5		6		dBi
Port Count	4				
Cable Type	RG58				
Cable Length	17 [5]				ft [m]
Connector Type	RPSMA Male				
GPS Specifications					
Frequency Range	1562 - 1612				MHz
VSWR	<2.0:1 ± 4 MHz				
LNA Gain	26				dB
Out of band rejection	>40 dB (@ > +/- 100 MHz)				
Typical Noise Figure	≤ 2.7				dB
Notch Filter rejection @787MHz	24				dB
Operating Voltage	3 - 5				VDC
Typical Current	15				mA
Cable Type / Length	RG174 / 17 ft [5 m]				
Connector Type	SMA Male				

Mechanical Specifications

Radome Material	UV Stabilized ABS
Size	
Overall Length	7 in [177.8 mm]
Width	7 in [177.8 mm]
Height	3.15 in [80.01 mm]
Weight	4 lbs [1.81 kg]

Environmental Specifications

Temperature	
Operating Range	-40 to +70 deg C

Click the following link (or enter part number in "SEARCH" on website) to obtain additional part information including price, inventory and certifications: [4 Cellular, 4 Wi-Fi, 1 GPS Combination Antenna 4 N Type, 4 RP SMA, 1 SMA Connector Black PEANOM1116](#)



4 Cellular, 4 Wi-Fi, 1 GPS Combination Antenna 4 N Type, 4 RP SMA, 1 SMA Connector Black

Antennas Technical Data Sheet

PEANOM1116

Ingress Protection

IP69K

Compliance Certifications (see [product page](#) for current document)

Plotted and Other Data

Notes:

4 Cellular, 4 Wi-Fi, 1 GPS Combination Antenna 4 N Type, 4 RP SMA, 1 SMA Connector Black from Pasternack Enterprises has same day shipment for domestic and International orders. Our RF, microwave and millimeter wave products maintain a 99.4% availability and are part of the broadest selection in the industry.

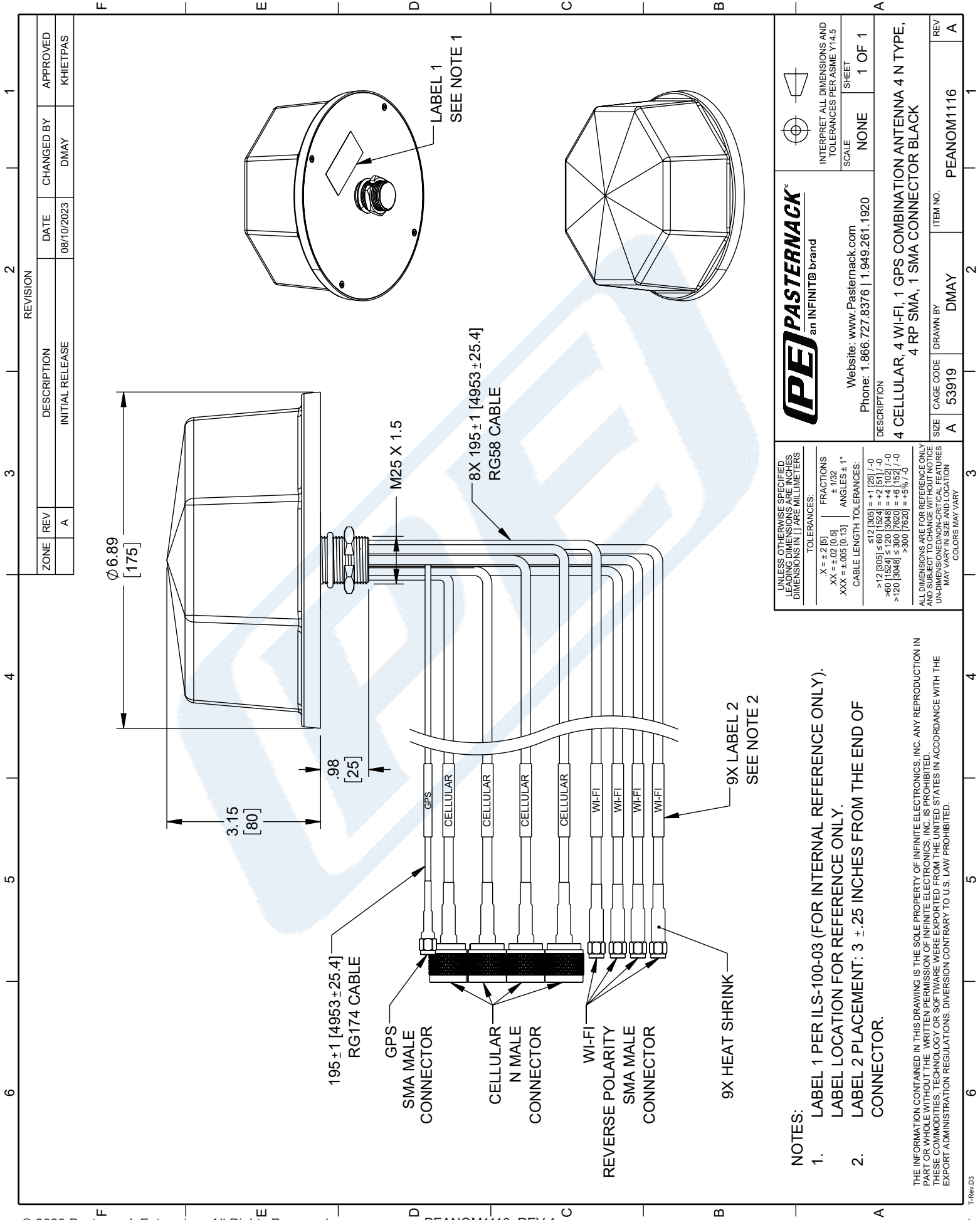
Click the following link (or enter part number in "SEARCH" on website) to obtain additional part information including price, inventory and certifications: [4 Cellular, 4 Wi-Fi, 1 GPS Combination Antenna 4 N Type, 4 RP SMA, 1 SMA Connector Black PEANOM1116](#)

URL: <https://www.pasternack.com/26-dbi-band-mobile-antenna-reverse-polarity-sma-connector-peanom1116-p.aspx>

The information contained in this document is accurate to the best of our knowledge and representative of the part described herein. It may be necessary to make modifications to the part and/or the documentation of the part, in order to implement improvements. Pasternack reserves the right to make such changes as required. Unless otherwise stated, all specifications are nominal. Pasternack does not make any representation or warranty regarding the suitability of the part described herein for any particular purpose, and Pasternack does not assume any liability arising out of the use of any part or documentation.

PEANOM1116 CAD Drawing

4 Cellular, 4 Wi-Fi, 1 GPS Combination Antenna 4 N Type, 4 RP SMA, 1 SMA Connector Black



PE PASTERNAK an INFINIT@ brand		INTERPRET ALL DIMENSIONS AND TOLERANCES PER ASME Y14.5 SCALE: NONE SHEET: 1 OF 1	
Website: www.Pasternack.com Phone: 1.866.727.8376 1.949.261.1920		DESCRIPTION: 4 CELLULAR, 4 WI-FI, 1 GPS COMBINATION ANTENNA 4 N TYPE, 4 RP SMA, 1 SMA CONNECTOR BLACK	
UNLESS OTHERWISE SPECIFIED, LEADING DIMENSIONS ARE INCHES DIMENSIONS IN [] ARE MILLIMETERS	TOLERANCES: X = ± 2 [9] FRACTIONS ± 1/32 XX = ± 0.02 [0.5] ANGLES ± 1° XXX = ± 0.05 [1.3]	CABLE LENGTH TOLERANCES: ≤ 12 [305] ± 1 [25] / -0 ≤ 60 [1524] ± 2 [51] / -0 ≤ 120 [3048] ± 4 [102] / -0 ≤ 300 [7620] ± 6 [152] / -0 > 300 [7620] ± 5% / -0	ALL DIMENSIONS ARE FOR REFERENCE ONLY AND SUBJECT TO CHANGE WITHOUT NOTICE UN-DIMENSIONED NON-CRITICAL FEATURES MAY VARY IN SIZE AND LOCATION COLORS MAY VARY
ZONE REV A	DESCRIPTION INITIAL RELEASE	DATE 08/10/2023	CHANGED BY DMAY
REVISION		APPROVED KHIETPAS	
SIZE A	CAGE CODE 53919	DRAWN BY DMAY	ITEM NO. PEANOM1116

NOTES:

- LABEL 1 PER ILS-100-03 (FOR INTERNAL REFERENCE ONLY). LABEL LOCATION FOR REFERENCE ONLY.
- LABEL 2 PLACEMENT: 3 ± .25 INCHES FROM THE END OF CONNECTOR.

THE INFORMATION CONTAINED IN THIS DRAWING IS THE SOLE PROPERTY OF INFINITE ELECTRONICS, INC. ANY REPRODUCTION IN PART OR WHOLE WITHOUT THE WRITTEN PERMISSION OF INFINITE ELECTRONICS, INC. IS PROHIBITED. THESE COMMODITIES, TECHNOLOGY OR SOFTWARE WERE EXPORTED FROM THE UNITED STATES IN ACCORDANCE WITH THE EXPORT ADMINISTRATION REGULATIONS. DIVERSION CONTRARY TO U.S. LAW PROHIBITED.