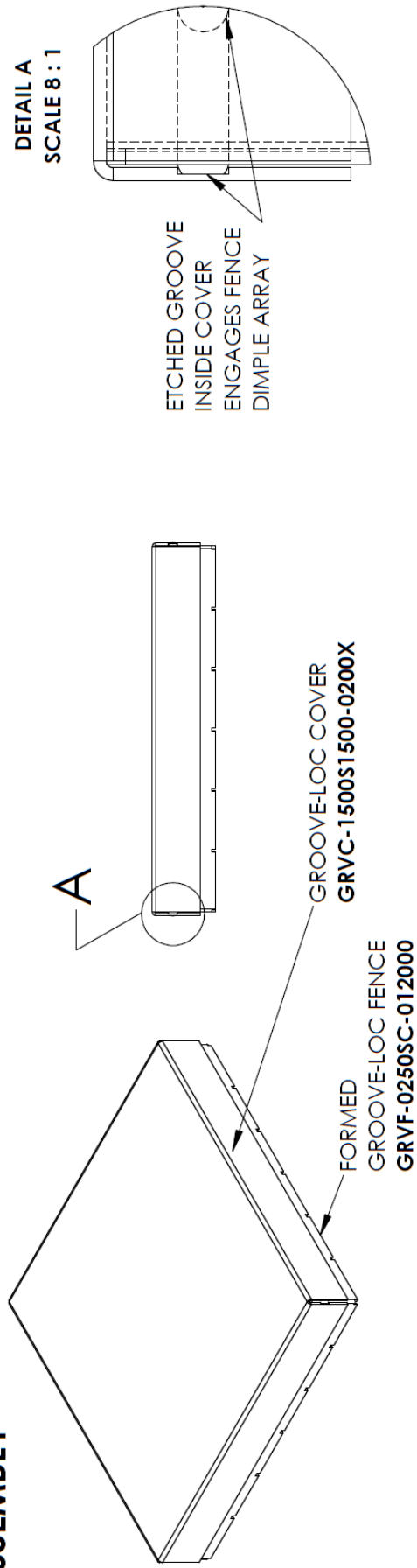
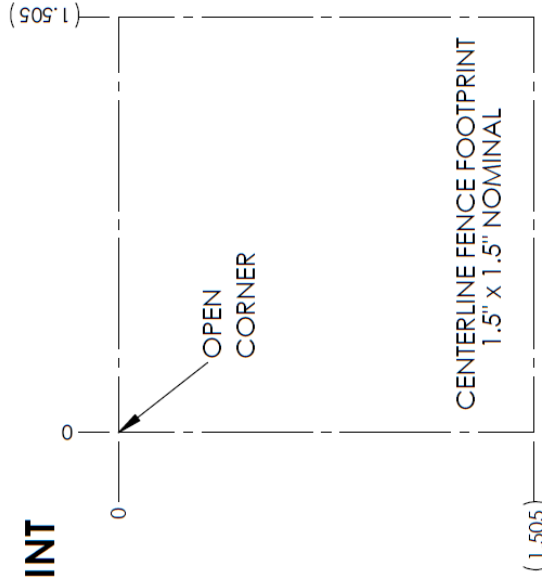


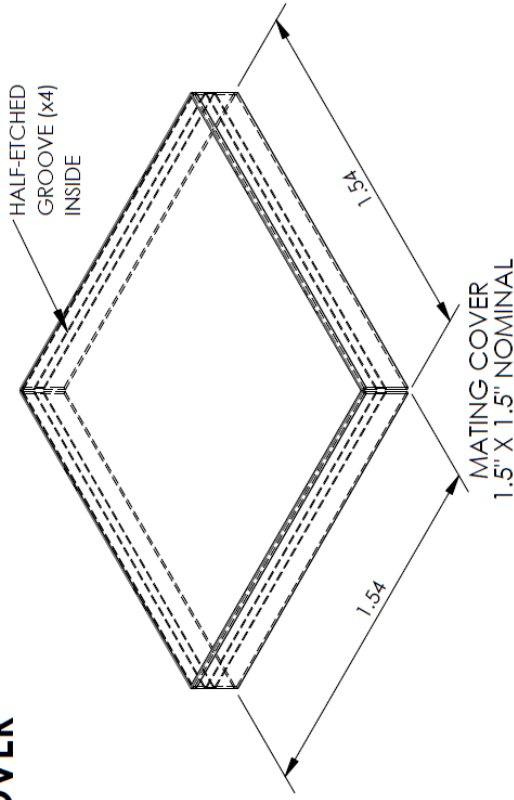
ASSEMBLY



FOOTPRINT



COVER



BOM	PART NO.
ASSY	GRVA-1500S1500-0250X
COVER	GRVC-1500S1500-0200X
FENCE	GRVF-0250SC-012000

FOR ANY QUESTIONS ON NON-STANDARD GEOMETRY OPTIONS, PLEASE CONSULT THE FACTORY AT SALES@ORBEL.COM

RoHS Compliant	THIRD ANGLE PROJECTION
DO NOT SCALE DRAWING	PROPRIETARY AND CONFIDENTIAL
THE INFORMATION CONTAINED IN THIS DRAWING IS THE SOLE PROPERTY OF ORBEL CORPORATION. ANY REPRODUCTION IN PART OR AS A WHOLE WITHOUT THE WRITTEN PERMISSION OF ORBEL CORPORATION IS PROHIBITED.	

DIMENSIONS ARE IN INCHES	
TOLERANCES:	FRACTIONAL ±
ANGULAR:	MACH ± 3 Degrees
TWO PLACE DECIMAL	± .010
THREE PLACE DECIMAL	± .005
MATERIAL:	.010" C770 N/A.g, 1/2 HARD
HEAT TREAT:	
FINISH:	

DRAWN	NAME	DATE
CREATED	TNC	7/10/2024
CHECKED		
APPRVD.		
LATEST REVISION:		
CUSTOMER:	SIZE	SCALE: 32
	A	

GROOVE-LOC STANDARD ASSEMBLY

SAMPLE DRAWING

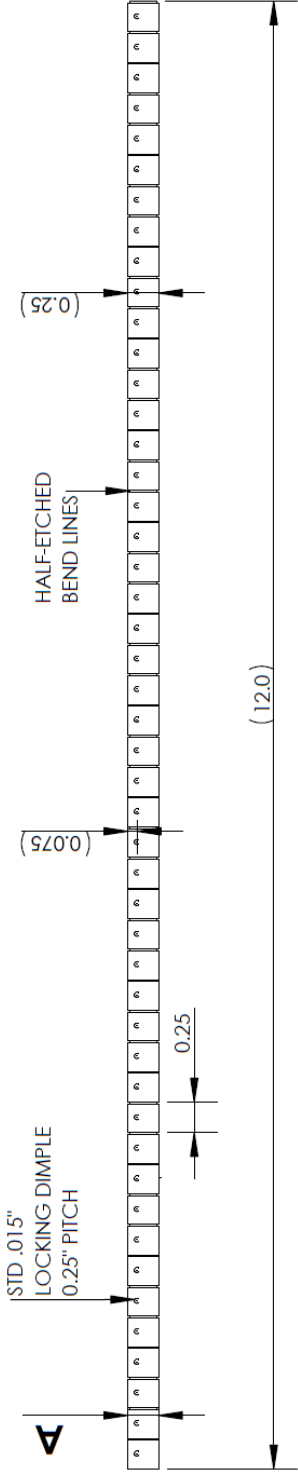
CAGE CODE: 57DUJ2

SHEET 1 OF 2

FENCE STRIP
(SURFACE MOUNT)

GRVF-0250SC-012000

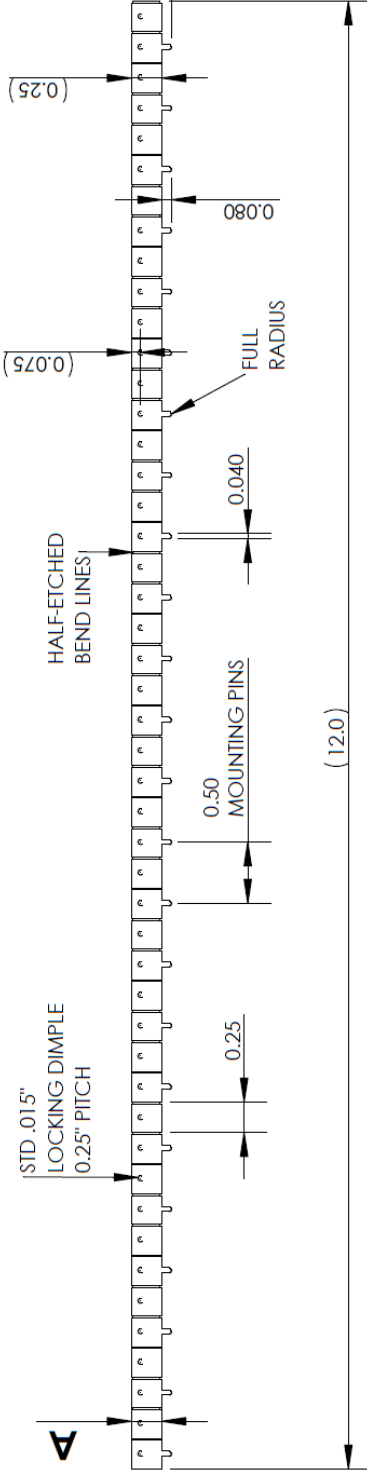
DIM "A"	PART NO.
0.25"	GRVF-0250SC-012000
0.50"	GRVF-0500SC-012000
1.00"	GRVF-1000SC-012000



FENCE STRIP
(THROUGH-HOLE PINS)

GRVF-0250TB-012000

DIM "A"	PART NO.
0.25"	GRVF-0250TB-012000
0.50"	GRVF-0500TB-012000
1.00"	GRVF-1000TB-012000



RoHS Compliant

THIRD ANGLE PROJECTION

DO NOT SCALE DRAWING

PROPRIETARY AND CONFIDENTIAL
THE INFORMATION CONTAINED IN THIS DRAWING IS THE SOLE PROPERTY OF ORBEL CORPORATION. ANY REPRODUCTION IN PART OR AS A WHOLE WITHOUT THE WRITTEN PERMISSION OF ORBEL CORPORATION IS PROHIBITED.

DIMENSIONS ARE IN INCHES

TOLERANCES:
FRACTIONAL: ±
ANGULAR: MACH ± 3 Degrees
TWO PLACE DECIMAL ± .010
THREE PLACE DECIMAL ± .005

MATERIAL:
.010" C770 NIAG. 1/2 HARD
HEAT TREAT:
FINISH:

DRAWN	NAME	DATE
CREATED	TNC	7/10/2024
CHECKED		
APPROV.		

LATEST REVISION:

CUSTOMER:

GROOVE-LOC
STANDARD ASSEMBLY

SHEET **A** SAMPLE DRAWING

SCALE: 2:3 CAGE CODE: 57DU2 SHEET 2 OF 2

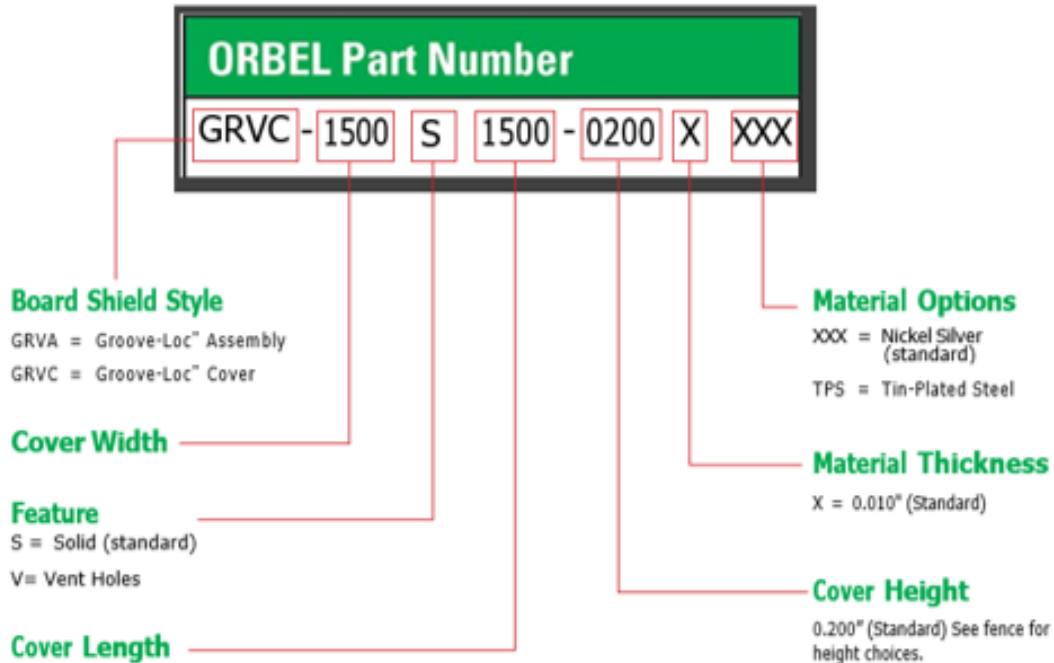
FOR ANY QUESTIONS ON NON-STANDARD GEOMETRY OPTIONS, PLEASE CONSULT THE FACTORY AT SALES@ORBEL.COM

HOW TO ORDER GROOVE-LOC BOARD LEVEL SHIELDING

The chart below is an easy-to-use reference on how Orbel GROOVE-LOC BLS part numbers are created and used to order a desired shield cover size and shield fence profile. For custom configurations that fall outside of these standard options, please consult the factory.

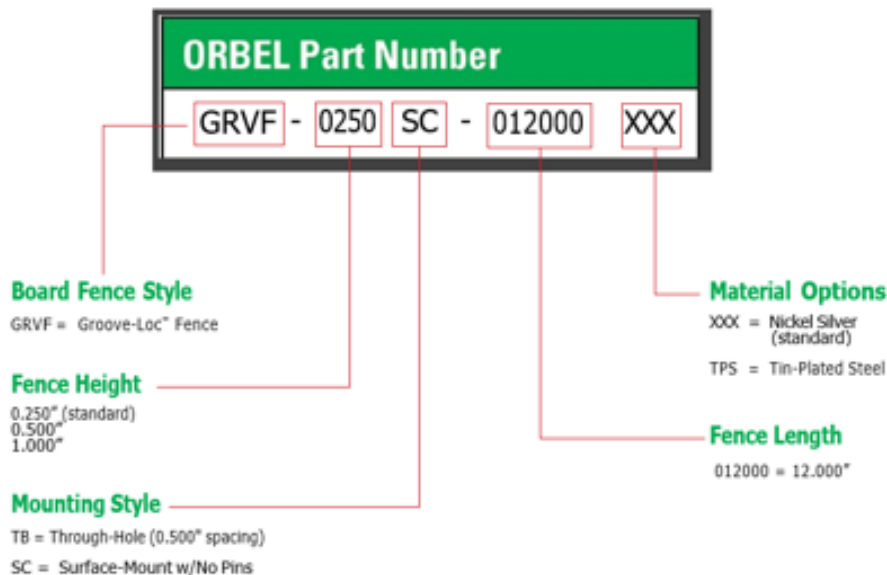
Groove-Loc Cover

Sample Part Number: GRVC-1500S1500-0200X XXX



Groove-Loc Fence

Sample Part Number: GRVF-0250SC-012000 XXX



Groove-Loc



SPECIFICATIONS

- Fence Strip Length: 12"
- Bend Point Spacing: 0.25"
- Heights: 0.25", 0.5", 1"
- Std Material: 0.010" Alloy 770 Nickel Silver
- Excellent Shielding Effectiveness: up to 60dB

FEATURES

- Standard Material Nickel Silver
- Available in Tin-Plated Steel
- Bendable / Formable Fence Strips
- Dimpled Locking Mechanism on Fence
- Grooved Locking System on Cover
- Fence Mounting Options: Knife Edge or Mounting Pins
- Ability to Create Multi-Cavity Shields
- Pre-Designed Covers
- Custom Cover Options

Orbel Corporation

2 Danforth Drive, Easton PA

610-829-5000

AS9100 Rev.D/ISO 9001:2015

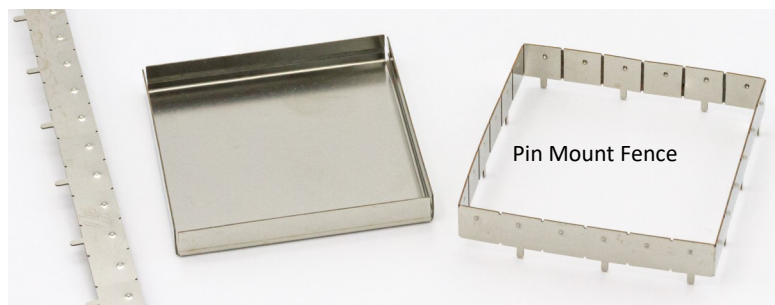
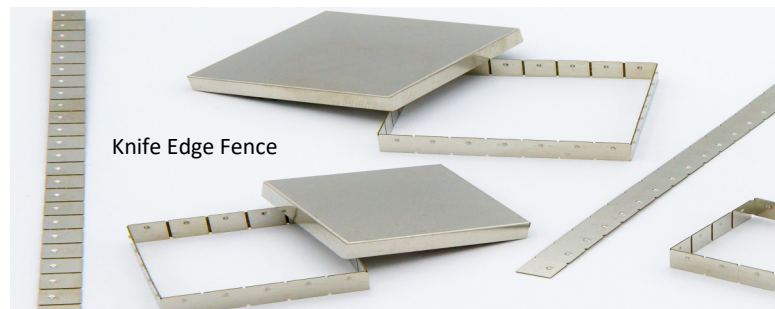
info@orbel.com

Orbel.com

MEET EVERY MISSION-CRITICAL CHALLENGE WITH CONFIDENCE

Groove-Loc™ Board Level Shielding *Shielding Tomorrow's Technology*

Orbel, the recognized leader in standard and custom Board Level Shielding, now offers the Groove-Loc™



The Groove-Loc™ is an ideal way to develop your next PCB shielding requirement. The fence strips can be hand bent into any rectangular size without specialized tooling, and any remaining excess can be removed by hand. The fence comes with a mating cover made to your exact specifications ensuring a reliable fit. The Groove-Loc™ incorporates dimple features on the fence and the mating cover exhibits a matching groove for ease of installation while securely locking the cover in place.

Orbel uses a highly solderable and corrosion resistant Nickel Silver Alloy to produce the Groove-Loc™. This material choice makes the Groove-Loc™ ideal for prototyping various shield sizes and configurations, while also lending itself as a solution for shielding applications in low to medium production volumes.