

05020GA (旧BM5020)

Φ50X20^L

DC Blower Fan

DC FAN

General purpose

Industrial

Server

Refrigerator

Blower



General Specifications

Motor Protection Auto Restart / Polarity Protection

Insulation Resistance 10MΩ or over with a DC500V Megger

Dielectric Withstand Voltage : AC700V 1s

Allowable Ambient : K, L Class : -10°C ~ +70°C (Operating)

Temperature Range M Class : -10°C ~ +60°C (Operating)
-40°C ~ +70°C (Storage)

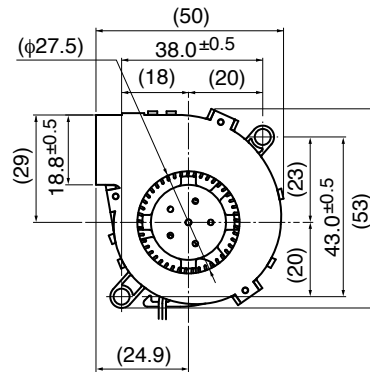
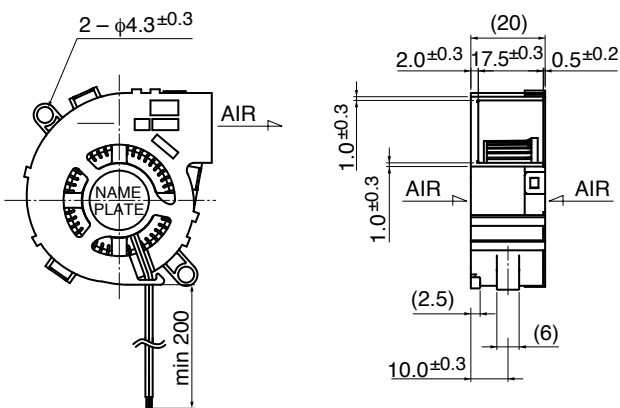
non-condensing environment

Expected Life

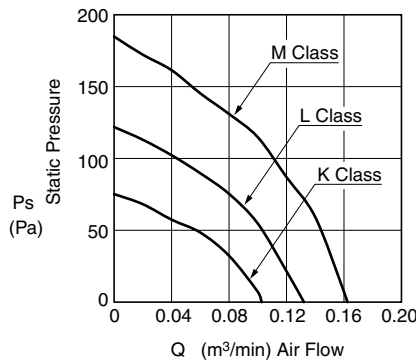
※ Failure Rate: 10% (L10 Life)

25°C 50,000 (Hours)

Outline



Characteristic Curves



Material

Casing Lower : Plastic (Black) UL94V-0

Casing Lower : Steel

Impeller : Plastic (Black) UL94V-0

Bearing : Ball Bearing

Lead Wire : UL1061 AWG26 +:Red, -:Black

Specifications

Model	Product Number	Rating Voltage	Operating Voltage	Current	Input Power	Speed	Max Air Flow		Max Static Pressure		Noise	Mass
		(V)	(V)	(A)*1	(W)*1	(min-1)*1	(m³/min)*1	(CFM)*1	(Pa)	(In H2O)*1	(dB)*1	(g)
05020GA-12K-AA-	00	12	4.5 ~ 13.8	0.07	0.84	3600	0.10	3.5	75.0	0.30	20.0	25
05020GA-12L-AA-	00	12	4.5 ~ 13.8	0.12	1.44	4600	0.13	4.5	124.0	0.49	27.0	
05020GA-12M-AA-	00	12	4.5 ~ 13.8	0.18	2.16	5600	0.16	5.6	184.0	0.73	32.0	
05020GA-24M-AA-	00	24	12 ~ 25.2	0.08	1.92	5600	0.16	5.6	184.0	0.73	32.0	

Rotation: Clockwise as seen from the label side

*1: Average Values in Free Air