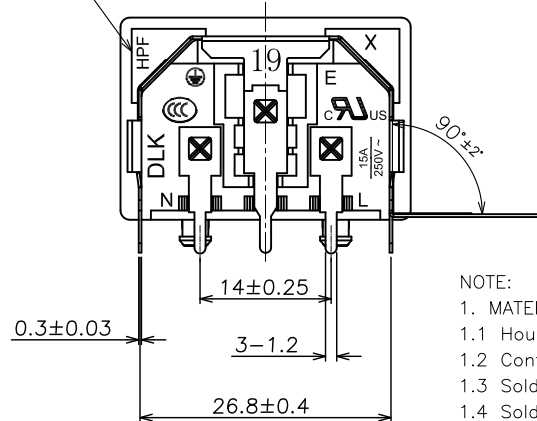
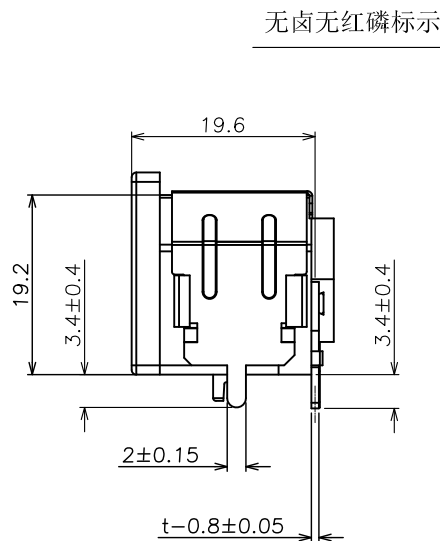
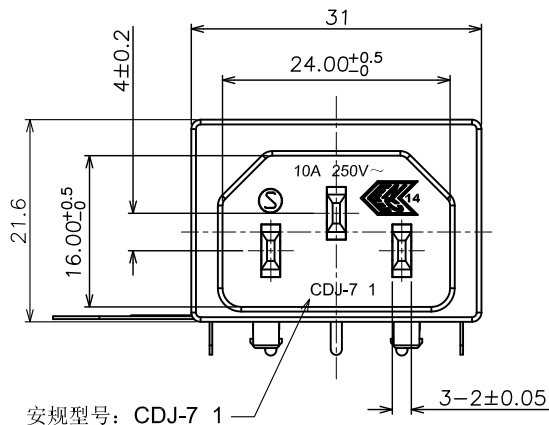
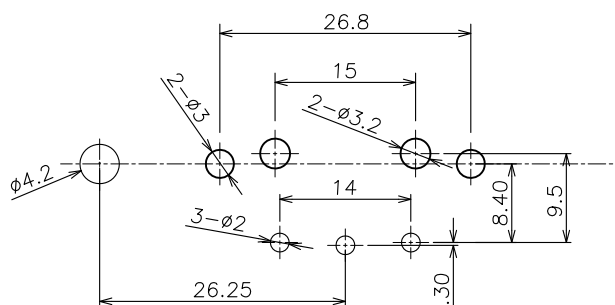
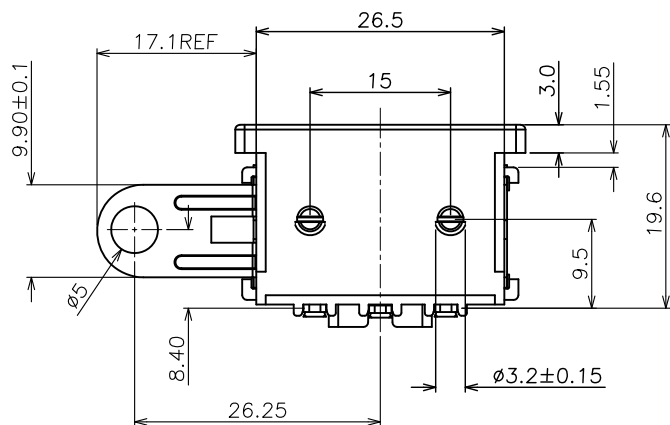


符合“DLK环境管理物质技术标准”

工程变更通知单 ECN(DCN) NO.	版本 REV	日期 DATE	说明 DESCRIPTION	改变 CHANGE	承认 APPRO.
KSECN20021	B	20200727	塑胶定位柱加胶, 依实物更新图画	覃智森	王永辉
KSECN20039	C	20210407	依客户要求更新图画	蒋召	覃智森
KSECN21060	D	20211129	依实物更新图画	蒋召	吴豪



- NOTE:
- MATERIAL:
 - Housing: PA66 UL94v-0, color: Black
 - Contact: Copper alloy
 - Soldering Pin: Copper alloy
 - Soldering Pin: Ferro alloy
 - PLATING:
 - Contact: Nickel plated overall
 - Soldering Pin: Sn plated, Nickel underplated
 - MECHANICAL:
 - Mating force: 10~50N
 - Unmating force: 60N Max
 - Durability: 5000 cycles
 - ELECTRICAL:
 - Current Rating: 2.5/7A
 - Voltage Rating: 125/250V
 - Dielectric strength: 2000V AC FOR 1 minute
 - Insulation Resistance: 100MΩ Min.
 - Contact Resistance: 30mΩ Max
 - Operating Temperature: -55°C to +85°C
 - PACKING: BOX



RECOMMENDED PCB LAYOUT
TOLERANCE: ±0.05mm

GENERAL TOLERANCE
UNLESS OTHERWISE NOTED

Angle	±5°
X.	±0.35
.X	±0.25
.XX	±0.15
.XXX	±0.10



德力康电子科技有限公司



DELIKANG ELECTRONICS TECHNOLOGY CO.,LTD

C 名称 TITLE: AC 3PIN 90D带左尾巴巴马口铁 (CDJ-7 1)

档案名称 FILE NAME: C-ACT3K-00-27HPF 料号 PART NO: 73K03B43273

DRAWING 王永辉 CHECKED APPROVED 严成旺

UNIT: mm SCALE: 1:1 SHEET: 1 of 1

NO.	ITEM	Q'TY	DESCRIPTION	FINISH
4	Soldering Pin	1	Ferro alloy	Tin
3	Soldering Pin	3	Copper alloy	Tin
2	Contact Pin	3	Copper alloy	Nickel
1	Housing	1	PA66 UL 94-V0	Black