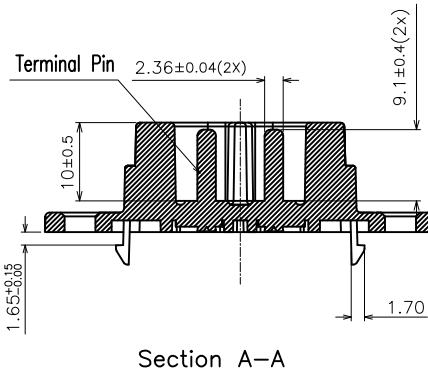
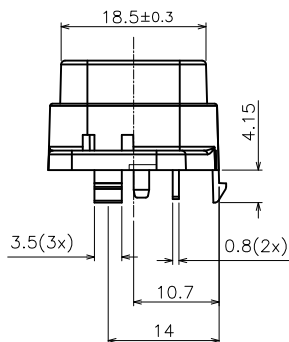
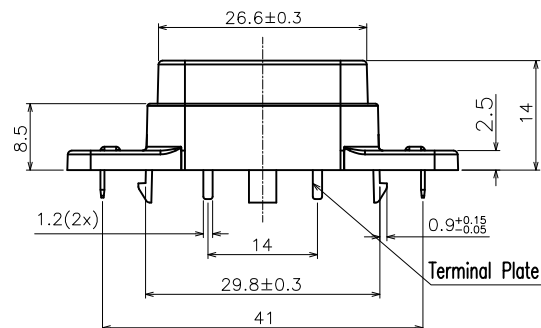
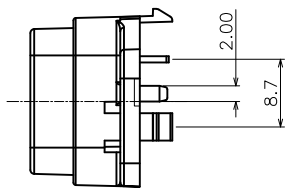
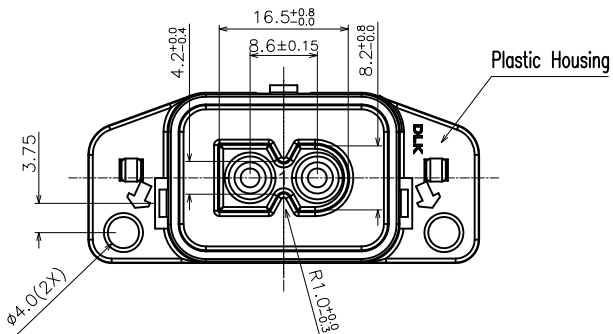


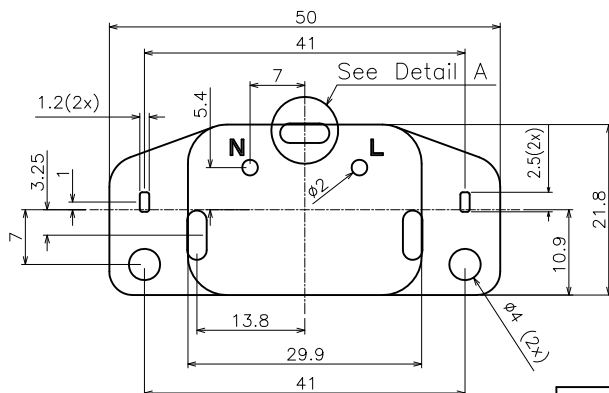
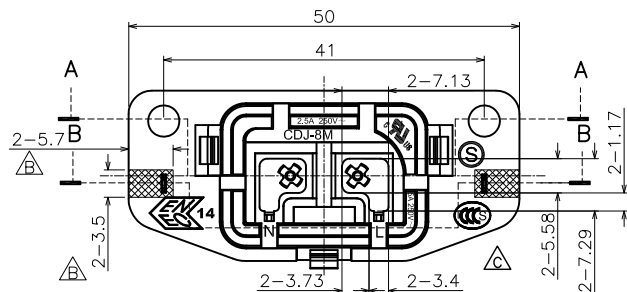
符合"DLK环境管理物质技术标准"

工程变更通知单 ECN(DCN) NO.	版本 REV	日期 DATE	说明 DESCRIPTION	改变 CHANGE	承认 APPRO.
KSECN17075	B	20180104	依客户要求, U型端子处添加凹槽 Δ *3	汪庆	王永辉
KSECN21031	C	20210811	安规刻字由5A 250V \sim 改为7A 125V \sim Δ *1	蒋召	吴豪
KSECN23005	D	20230223	依客户要求增加插片尺寸标注	邱宇	吴豪



NOTE:

- MATERIAL:
 - Housing: PA66 UL94v-0, color: Black
 - Contact: Copper alloy
 - Soldering Pin: Copper alloy
 - Rivet: Ferro alloy
- PLATING:
 - Contact: Nickel plated overall
 - Soldering Pin: Sn plated, Nickel underplated
- MECHANICAL:
 - Mating force: 10~50N
 - Unmating force: 60N Max
 - Durability: 5000 cycles
- ELECTRICAL:
 - Current Rating: 2.5/7A
 - Voltage Rating: 125/250V
 - Dielectric strength: 2000V AC FOR 1 minute
 - Insulation Resistance: 100M Ω Min.
 - Contact Resistance: 30m Ω Max
 - Operating Temperature: -55 $^{\circ}$ c to +85 $^{\circ}$ c
- PACKING: BOX



GENERAL TOLERANCE
UNLESS OTHERWISE NOTED

Angle	$\pm 5^{\circ}$
X.	± 0.35
.X	± 0.25
.XX	± 0.15
.XXX	± 0.10



德力康电子科技有限公司



DELIKANG ELECTRONICS TECHNOLOGY CO.,LTD

C 名称	CDJ-8M+RIVET			
档案名称	C-ACT1M-00-16	料号	71M02B34160	
FILE NAME:	C-ACT1M-00-16	PART NO.:	71M02B34160	
DRAWING	刘三东	CHECKED	APPROVED	严成胜
UNIT:	mm	SCALE	1:1	SHEET: 1 of 1

NO.	ITEM	Q'TY	DESCRIPTION	FINISH
4	RIVET	2	Ferro alloy	TIN
3	SOLDERING	2	Copper alloy	MIST TIN
2	CONTACT	2	Copper alloy	NI
1	HOUSING	1	PA66 UL 94V-0	BLACK/WHITE