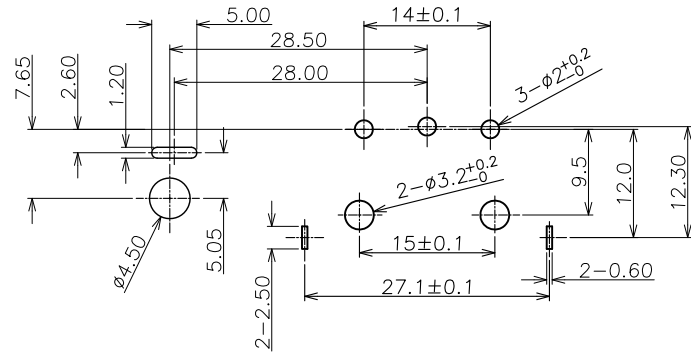
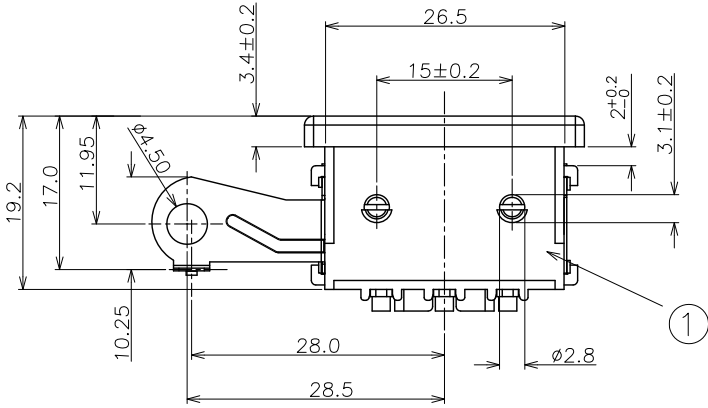
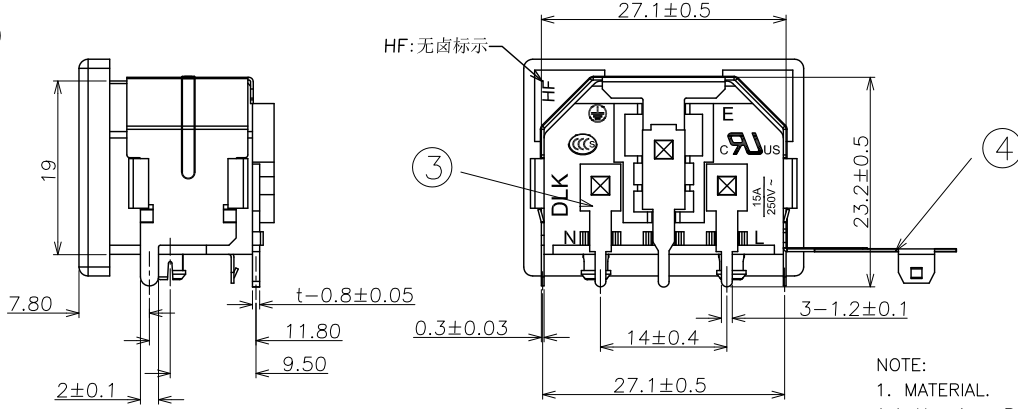
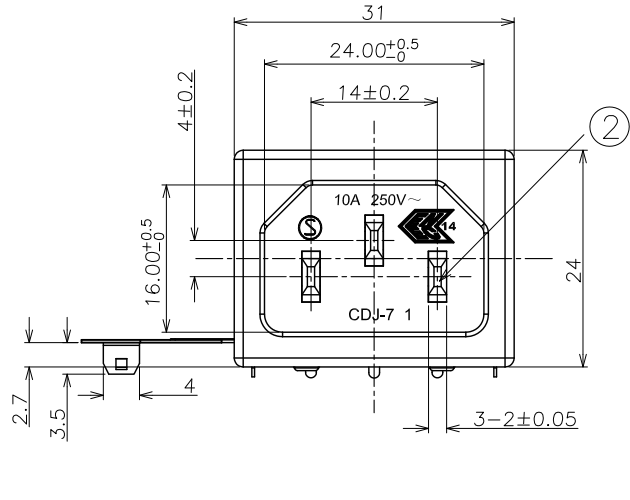


符合"DLK环境管理物质技术标准"

工程变更通知单 ECN(DCN) NO.	版本 REV	日期 DATE	说明 DESCRIPTION	改变 CHANGE	承认 APPRO.
KSECN19001	A	20190107	NEW RELEASE	—	—
KSECN20021	B	20200727	塑胶定位柱加胶, 依实物更新图面	覃智森	王永辉



RECOMMENDED PCB LAYOUT  
TOLERANCE: ±0.05mm

- NOTE:
- MATERIAL:
    - Housing: PA66 UL94v-0, color: Black
    - Contact: Copper alloy
    - Soldering Pin: Copper alloy
    - Soldering Pin: Ferro alloy
  - PLATING:
    - Contact: Nickel plated overall
    - Soldering Pin: Sn plated, Nickel underplated
  - MECHANICAL:
    - Mating force: 10~50N
    - Unmating force: 60N Max
    - Durability: 5000 cycles
  - ELECTRICAL:
    - Current Rating: 2.5/7A
    - Voltage Rating: 125/250V
    - Dielectric strength: 2000V AC FOR 1 minute
    - Insulation Resistance: 100MΩ Min.
    - Contact Resistance: 30mΩ Max
    - Operating Temperature: -55°C to +85°C
  - PACKING: BOX

德力康电子科技有限公司  
DLK DELIKANG ELECTRONICS TECHNOLOGY CO.,LTD

GENERAL TOLERANCE  
UNLESS OTHERWISE NOTED

Angle	±5°
X.	±0.35
.X	±0.25
.XX	±0.15
.XXX	±0.10

NO.	ITEM	Q'TY	DESCRIPTION	FINISH
4	Soldering Pin	1	Ferro alloy	Tin
3	Soldering Pin	3	Copper alloy	Tin
2	Contact Pin	3	Copper alloy	Nickel
1	INSULATOR	1	PA66 UL 94-V0 无卤	Black

C 名称 TITLE:	AC 3PIN 90D 带左尾巴无卤 (CDJ-7 1)			
档案名称 FILE NAME:	C-ACT3K-00-2XHF	料号 PART NO.:	73K03B432X1	
DRAWING	王永辉	CHECKED	—	APPROVED 严成旺
UNIT:	mm	SCALE	1:1	SHEET: 1 of 1