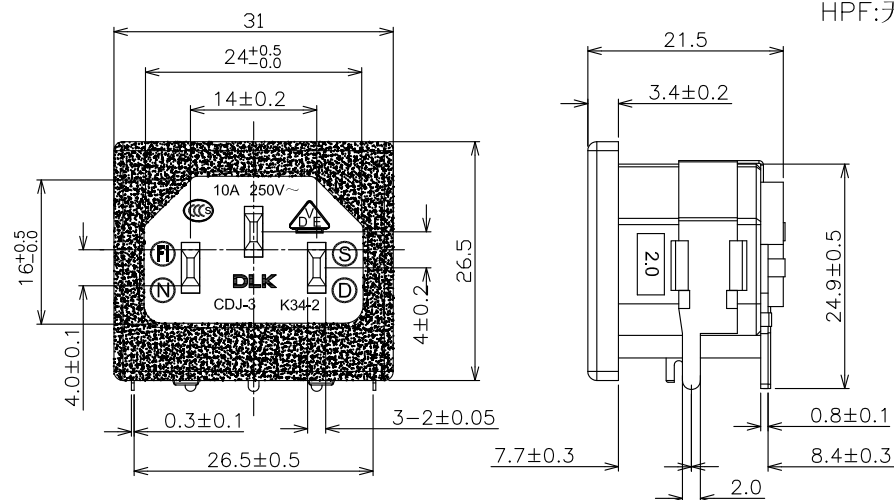
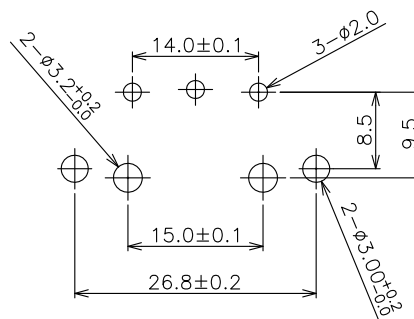
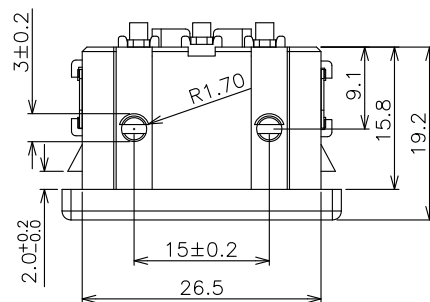
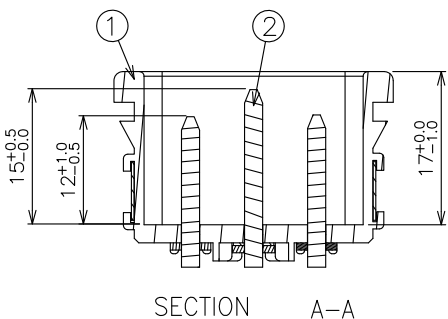
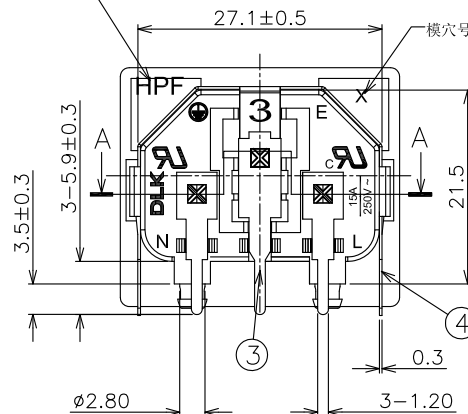


符合"DLK环境管理物质技术标准"

工程变更通知单 ECN(DCN) NO.	版本 REV	日期 DATE	说明 DESCRIPTION	改变 CHANGE	承认 APPRO
KSECN17010	A	20170801	NEW RELEASE	—	—



HPF:无卤无红磷标示



RECOMMENDED PCB LAYOUT
TOLERANCE: ±0.05mm

NOTE:

- MATERIAL:
 - Housing: PA66 UL94v-0, color: Black
 - Contact: Copper alloy
 - Soldering Pin: Copper alloy
 - Soldering Pin: Ferro alloy
- PLATING:
 - Contact: Nickel plated overall
 - Soldering Pin: Sn plated, Nickel underplated
- MECHANICAL:
 - Mating force: 10~50N
 - Unmating force: 60N Max
 - Durability: 5000 cycles
- ELECTRICAL:
 - Current Rating: 2.5/7A
 - Voltage Rating: 125/250V
 - Dielectric strength: 2000V AC FOR 1 minute
 - Insulation Resistance: 100MΩ Min.
 - Contact Resistance: 30mΩ Max
 - Operating Temperature: -55°C to +85°C
- PACKING: BOX

NO.	ITEM	Q'TY	DESCRIPTION	FINISH
4	Soldering Pin	1	Ferro alloy	TIN 26u"
3	Soldering Pin	3	Copper alloy	TIN100u" over Ni 50u"
2	Contact Pin	3	Copper alloy	Ni 50u"
1	INSULATOR	1	PA66 UL 94V-0	BLACK

GENERAL TOLERANCE
UNLESS OTHERWISE NOTED

Angle	±5°
.X	±0.35
.X	±0.25
.XX	±0.15
.XXX	±0.10



德力康电子科技有限公司

DLK DELIKANG ELECTRONICS TECHNOLOGY CO.,LTD

名称 TITLE:	CDJ-3K-34-B1HPF			
档案名称 FILE NAME:	C-ACT3K-00-0AHPF	料号 PART NO.:	73K03B430A3	
DRAWING	陈浩泽	CHECKED	—	APPROVED 严成旺
UNIT:	mm	SCALE	1:1	SHEET: 1 of 1