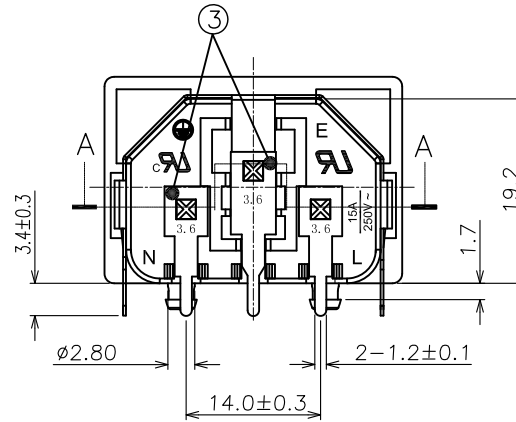
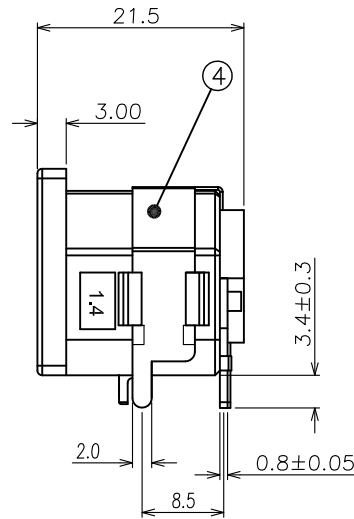
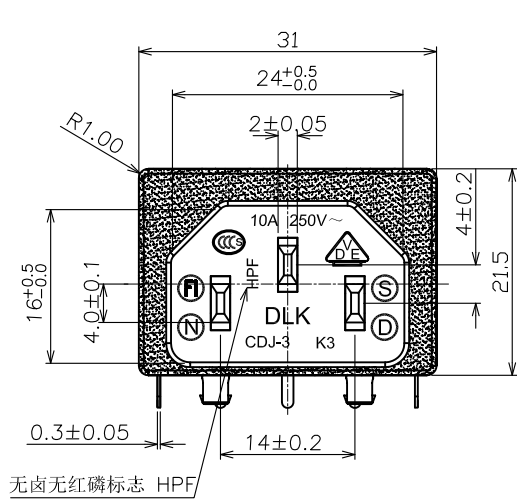


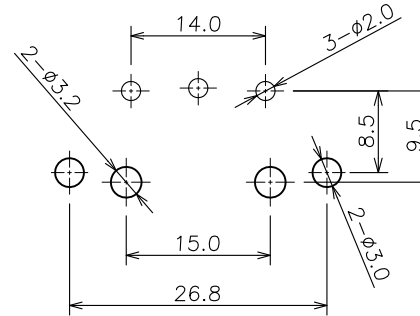
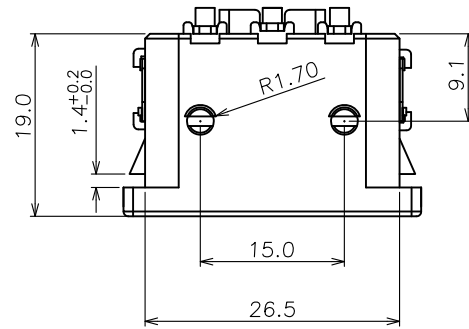
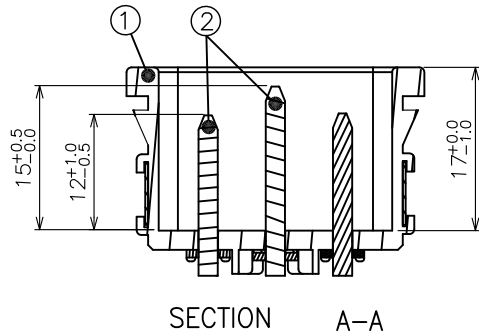
符合"DLK环境管理物质技术标准"

工程变更通知单 ECN(DCN) NO.	版本 REV	日期 DATE	说明 DESCRIPTION	改变 CHANGE	承认 APPRO.
KSECN17065	A	20171031	NEW RELEASE	—	—



NOTE:

- MATERIAL:
  - Housing: PA66 UL94v-0, color: Black
  - Contact: Copper alloy
  - Soldering Pin: Copper alloy
  - Soldering Pin: Ferro alloy
- PLATING:
  - Contact: Nickel plated overall
  - Soldering Pin: Sn plated, Nickel underplated
- MECHANICAL:
  - Mating force: 10~50N
  - Unmating force: 60N Max
  - Durability: 5000 cycles
- ELECTRICAL:
  - Current Rating: 2.5/7A
  - Voltage Rating: 125/250V
  - Dielectric strength: 2000V AC FOR 1 minute
  - Insulation Resistance: 100MΩ Min.
  - Contact Resistance: 30mΩ Max
- Operating Temperature: -55°C to +85°C
- PACKING: BOX



RECOMMENDED PCB LAYOUT  
TOLERANCE: ±0.05mm

NO.	ITEM	Q'TY	DESCRIPTION	FINISH
4	Soldering Pin	1	Ferro alloy	Tin
3	Soldering Pin	3	Copper alloy	Tin
2	Contact Pin	3	Copper alloy	Ni
1	INSULATOR	1	PA66+30%GF UL94V-0	Black

GENERAL TOLERANCE  
UNLESS OTHERWISE NOTED

Angle	±5°
X.	±0.35
.X	±0.25
.XX	±0.15
.XXX	±0.10



德力康电子科技有限公司  
DELIKANG ELECTRONICS TECHNOLOGY CO.,LTD

C 名称 TITLE:	CDJ-3 底部切平90D 无卤无红磷带铁壳			
档案名称 FILE NAME:	C-ACT3K-00-13HPF	料号 PART NO.:	73K03B43133	
DRAWING	汪庆	CHECKED	王永辉	APPROVED 严成旺
UNIT:	mm	SCALE	1:1	SHEET: 1 of 1