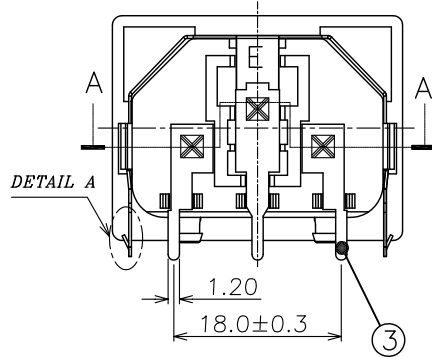
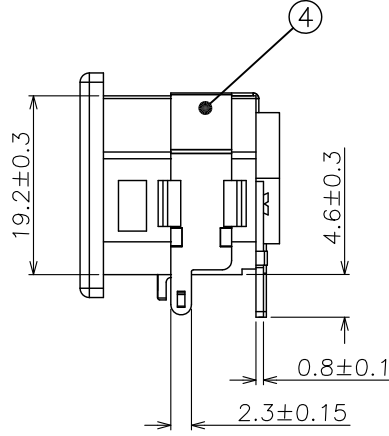
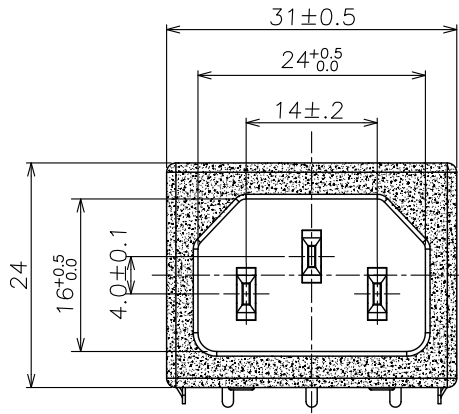


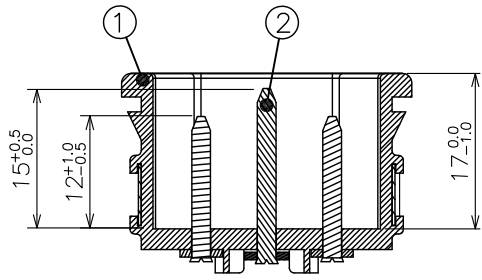
符合"DLK环境管理物质技术标准"

工程变更通知单 ECN(DCN) NO.	版本 REV	日期 DATE	说明 DESCRIPTION	变更 CHANGE	承认 APPRO.
KSECN10046	B	20121012	以客户要求, 10.1±0.25修改为 9.90±0.3, 19.2±0.3修改为19.0±0.3	陆桂棚	严成旺
KSECN16026	C	20160429	增加马口铁卡扣0.95 <sup>+0.10</sup> <sub>-0.05</sub> 尺寸 $\triangle$ *1	王永辉	严成旺
KSECN20042	D	20201021	塑胶主体增加倒角, 依实物更新图画	蒋召	覃智森

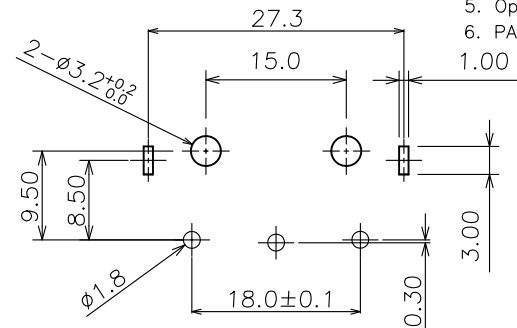
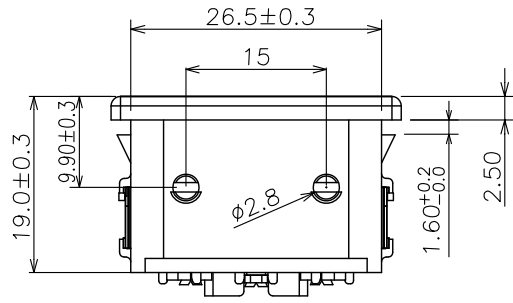


NOTE:

- MATERIAL:
  - Housing: PA66 UL94v-0, color: Black
  - Contact: Copper alloy
  - Soldering Pin: Copper alloy
  - Soldering Pin: Ferro alloy
- PLATING:
  - Contact: Nickel plated overall
  - Soldering Pin: Sn plated, Nickel underplated
- MECHANICAL:
  - Mating force: 10~50N
  - Unmating force: 60N Max
  - Durability: 5000 cycles
- ELECTRICAL:
  - Current Rating: 2.5/7A
  - Voltage Rating: 125/250V
  - Dielectric strength: 2000V AC FOR 1 minute
  - Insulation Resistance: 100MΩ Min.
  - Contact Resistance: 30mΩ Max
  - Operating Temperature: -55°C to +85°C
- PACKING: BOX

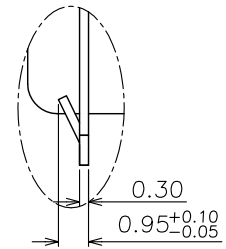


SECTION A-A



RECOMMENDED PCB LAYOUT

TOLERANCE: ±0.05mm



DETAIL A (4:1)

NO.	ITEM	Q'TY	DESCRIPTION	FINISH
4	Soldering Pin	1	Ferro alloy	TIN 26u"
3	Soldering Pin	3	Copper alloy	TIN100u" over Ni 50u"
2	Contact Pin	3	Copper alloy	Ni 50u"
1	INSULATOR	1	PA66 UL 94V-0	BLACK

GENERAL TOLERANCE UNLESS OTHERWISE NOTED	
Angle	±5°
.X	±0.30
.X	±0.25
.XX	±0.15
.XXX	±0.10

**德力康电子科技有限公司**  
DLK DELIKANG ELECTRONICS TECHNOLOGY CO.,LTD

C 名称 TITLE: CDJ-3K-3-B8

档案名称 FILE NAME: C-ACT3K-00-18 料号 PART NO.: 73K03B43180

DRAWING 刘三东 CHECKED ~ APPROVED 李如均

UNIT: mm SCALE: 1:1 SHEET: 1 of 1