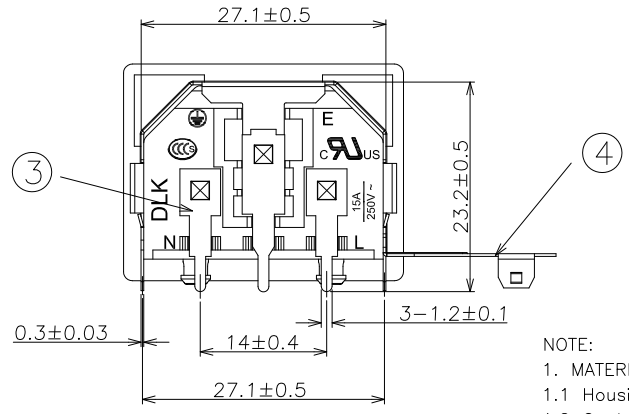
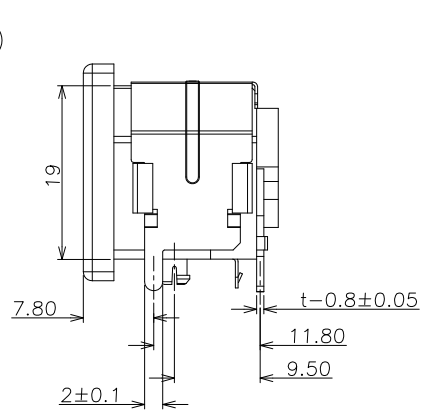
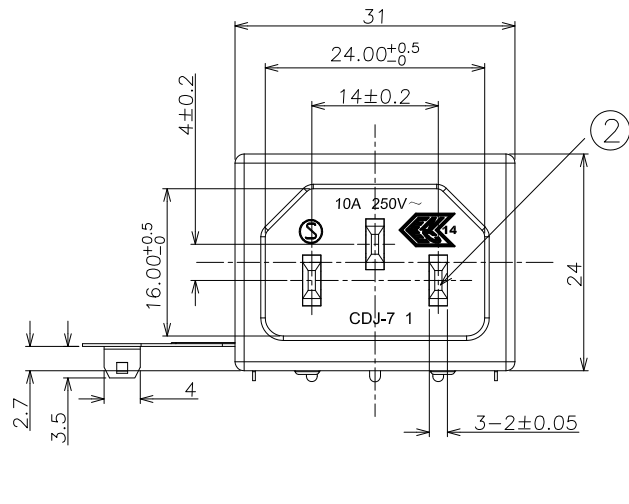


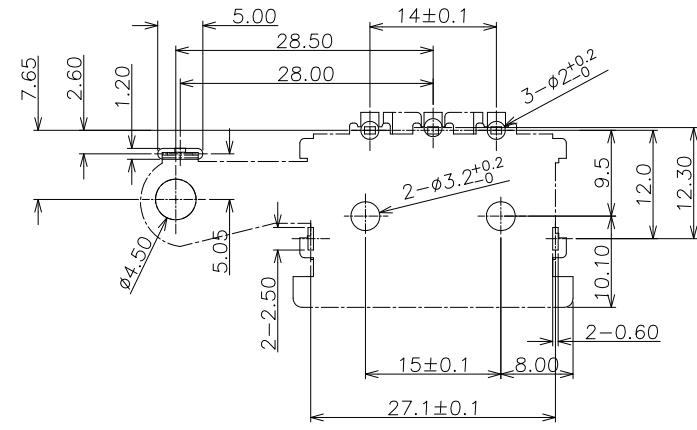
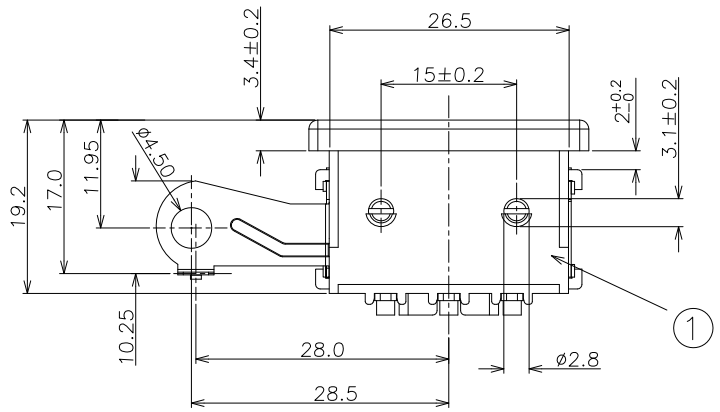
符合"DLK环境管理物质技术标准"

工程变更通知单 ECN(DCN) NO.	版本 REV	日期 DATE	说明 DESCRIPTION	改变 CHANGE	承认 APPRO.
KSECN19036	A	20190715	NEW RELEASE	—	—
KSECN20021	B	20200727	塑胶定位柱加胶, 依实物更新图画	覃智森	王永辉



NOTE:

- MATERIAL:
 - Housing: PA66 UL94v-0, color: Black
 - Contact: Copper alloy
 - Soldering Pin: Copper alloy
 - Soldering Pin: Ferro alloy
- PLATING:
 - Contact: Nickel plated overall
 - Soldering Pin: Sn plated, Nickel underplated
- MECHANICAL:
 - Mating force: 10~50N
 - Unmating force: 60N Max
 - Durability: 5000 cycles
- ELECTRICAL:
 - Current Rating: 2.5/7A
 - Voltage Rating: 125/250V
 - Dielectric strength: 2000V AC FOR 1 minute
 - Insulation Resistance: 100MQ Min.
 - Contact Resistance: 30mΩ Max
 - Operating Temperature: -55°C to +85°C
- PACKING: BOX



RECOMMENDED PCB LAYOUT
TOLERANCE: ±0.05mm

德力康电子科技有限公司
DLK DELIKANG ELECTRONICS TECHNOLOGY CO.,LTD

C 名称	AC 3PIN 90D 带左尾巴 (CDJ-7 1)			
档案名称	C-ACT3K-00-2X	料号	73K03B432X0	
FILE NAME:	C-ACT3K-00-2X	PART NO.:	73K03B432X0	
DRAWING	王永辉	CHECKED	—	APPROVED 严成旺
UNIT:	mm	SCALE	1:1	SHEET: 1 of 1

NO.	ITEM	Q'TY	DESCRIPTION	FINISH
4	Soldering Pin	1	Ferro alloy	Tin
3	Soldering Pin	3	Copper alloy	Tin
2	Contact Pin	3	Copper alloy	Nickel
1	INSULATOR	1	PA66 UL 94-V0	Black