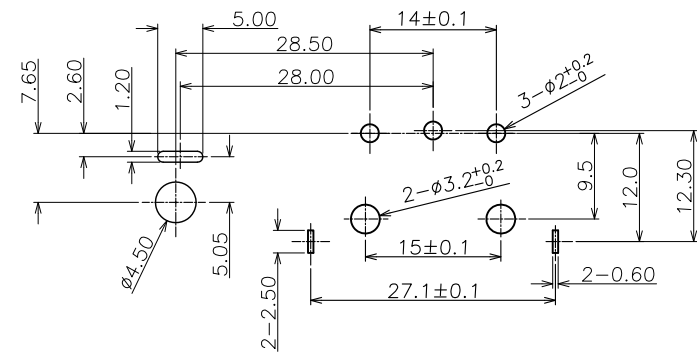
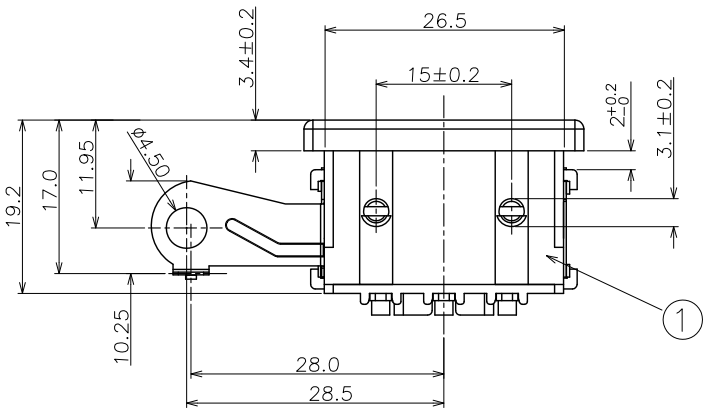
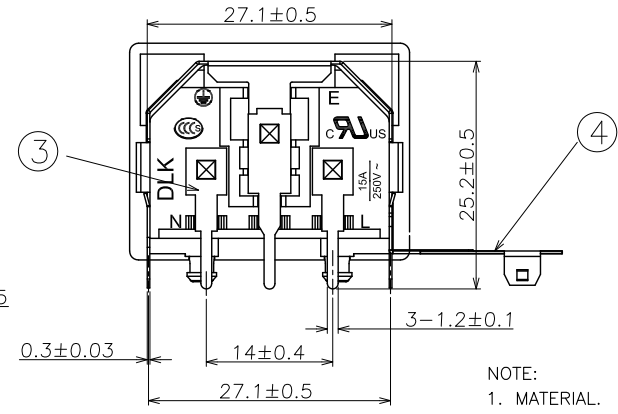
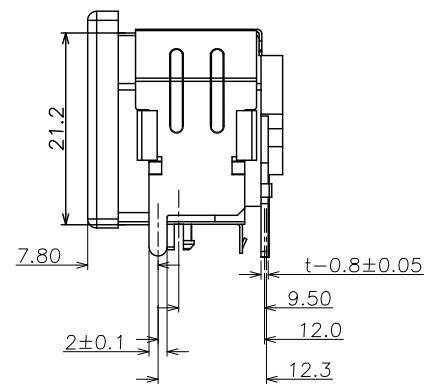
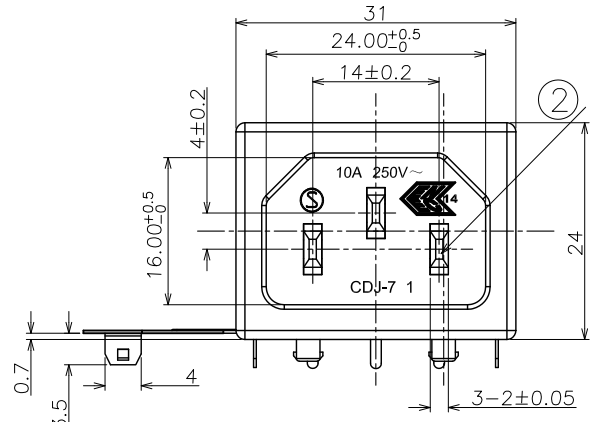


符合"DLK环境管理物质技术标准"

工程变更通知单 ECN(DCN) NO.	版本 REV	日期 DATE	说明 DESCRIPTION	改变 CHANGE	承认 APPRO.
KSECN19049	A	20190917	NEW RELEASE	—	—



RECOMMENDED PCB LAYOUT
TOLERANCE: ±0.05mm

- NOTE:
- MATERIAL:
 - Housing: PA66 UL94v-0, color: Black
 - Contact: Copper alloy
 - Soldering Pin: Copper alloy
 - Soldering Pin: Ferro alloy
 - PLATING:
 - Contact: Nickel plated overall
 - Soldering Pin: Sn plated, Nickel underplated
 - MECHANICAL:
 - Mating force: 10~50N
 - Unmating force: 60N Max
 - Durability: 5000 cycles
 - ELECTRICAL:
 - Current Rating: 2.5/7A
 - Voltage Rating: 125/250V
 - Dielectric strength: 2000V AC FOR 1 minute
 - Insulation Resistance: 100MΩ Min.
 - Contact Resistance: 30mΩ Max
 - Operating Temperature: -55°C to +85°C
 - PACKING: Tray

德力康电子科技有限公司
DLK DELIKANG ELECTRONICS TECHNOLOGY CO.,LTD

GENERAL TOLERANCE UNLESS OTHERWISE NOTED	
Angle	±5°
X.	±0.35
.X	±0.25
.XX	±0.15
.XXX	±0.10

4	Soldering Pin	1	Ferro alloy	Tin
3	Soldering Pin	3	Copper alloy	Tin
2	Contact Pin	3	Copper alloy	Nickel
1	INSULATOR	1	PA66 UL94V-0	Black
NO.	ITEM	Q'TY	DESCRIPTION	FINISH

C 名称 TITLE:	AC 3PIN 90D 垫高2mm带左尾巴 (CDJ-7 1)			
档案名称 FILE NAME:	C-ACT7K-00-00	料号 PART NO.:	77K03B43000	
DRAWING	王永辉	CHECKED	~	APPROVED 严成旺
UNIT:	mm	SCALE	1:1	SHEET: 1 of 1