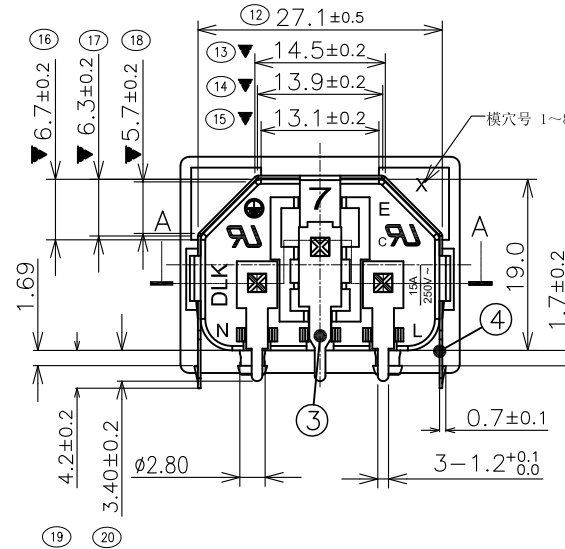
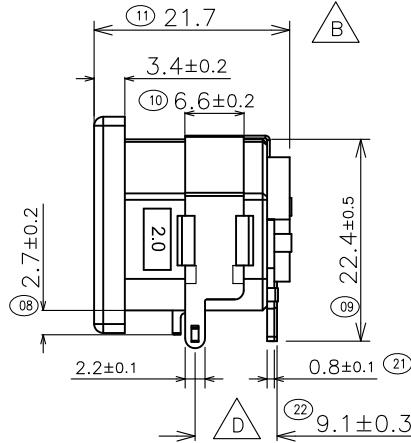
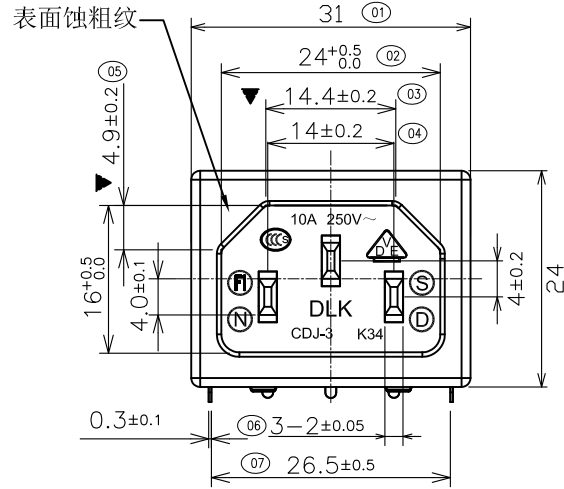


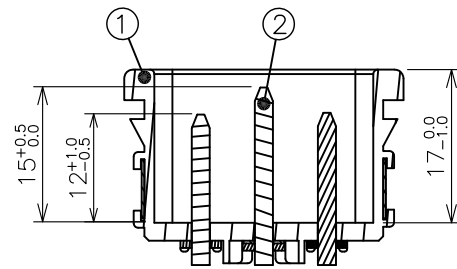
符合"DLK环境管理物质技术标准"

工程变更通知单 ECN(DCN) NO.	版本 REV	日期 DATE	说明 DESCRIPTION	改变 CHANGE	承认 APPRO
ECN NO.09056	B	20090513	更换插针,插片料号	尚丹	严成胜
ECN NO.10076	C	20100714	将21.8改为21.7	刘三乐	严成胜
ECN NO.11083	D	20221027	将铁壳C05更换为C07	刘三乐	严成胜

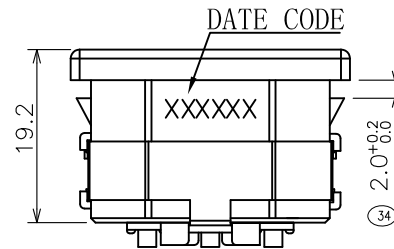


NOTE:

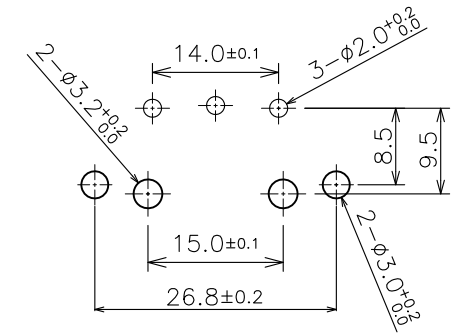
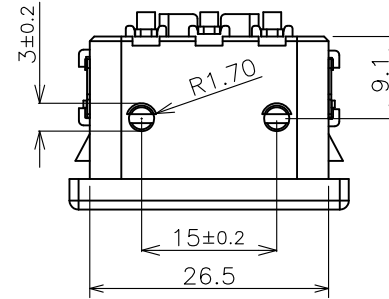
- MATERIAL:
 - Housing: PA66 UL94v-0, color: Black
 - Contact: Copper alloy
 - Soldering Pin: Copper alloy
 - Soldering Pin: Ferro alloy
- PLATING:
 - Contact: Nickel plated overall
 - Soldering Pin: Sn plated, Nickel underplated
- MECHANICAL:
 - Mating force: 10~50N
 - Unmating force: 60N Max
 - Durability: 5000 cycles
- ELECTRICAL:
 - Current Rating: 2.5/7A
 - Voltage Rating: 125/250V
 - Dielectric strength: 2000V AC FOR 1 minute
 - Insulation Resistance: 100MΩ Min.
 - Contact Resistance: 30mΩ Max
 - Operating Temperature: -55°C to +85°C
- PACKING: BOX



SECTION A-A



DATE CODE NOTE:
 X X X X X X
 Line (A-E)
 Date (0-9)
 Month (0-9)
 Year (0-9)



RECOMMENDED PCB PLAYOUT

TOLERANCE: ±0.05mm

NO.	ITEM	Q'TY	DESCRIPTION	FINISH
4	Soldering Pin	1	Ferro alloy	TIN
3	Soldering Pin	1	Copper alloy	TIN
2	Contact Pin	1	Copper alloy	NICKEL
1	INSULATOR	1	NYLON UL 94V-0	BLACK

GENERAL TOLERANCE
UNLESS OTHERWISE NOTED

Angle	±5°
.X	±0.35
.X	±0.25
.XX	±0.15
.XXX	±0.10

DLK 德力康电子科技有限公司
 DELIKANG ELECTRONICS TECHNOLOGY CO.,LTD

C 名称 TITLE:	CDJ-3K-3-B5			
档案名称 FILE NAME:	C-ACT3K-00-0G	料号 PART NO.	73K03B430G0	
DRAWING	刘三乐	CHECKED	李如均	APPROVED 严成胜
UNIT:	mm	SCALE	1:1	SHEET: 1 of 1