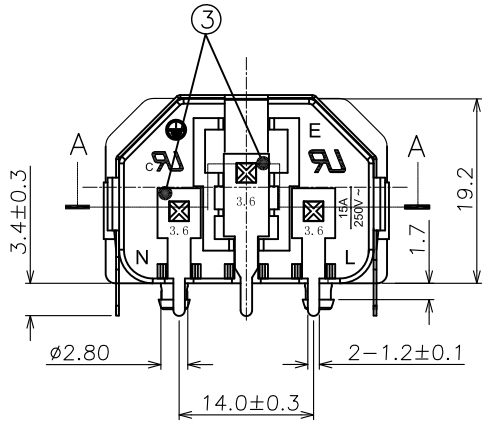
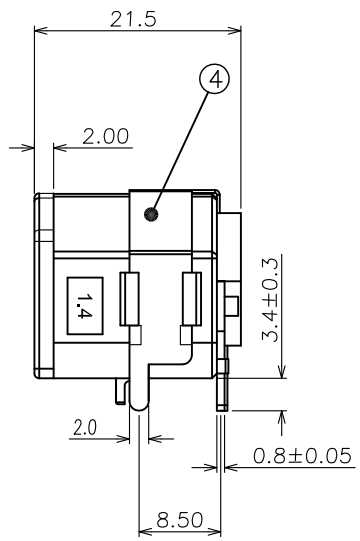
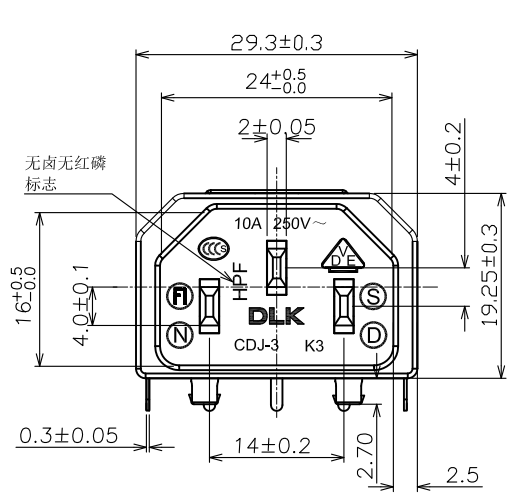
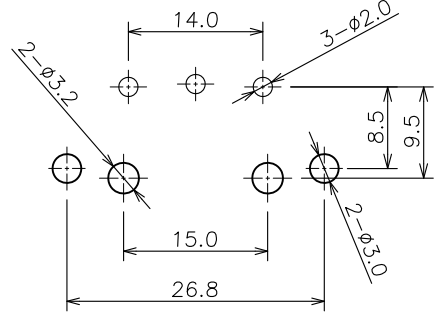
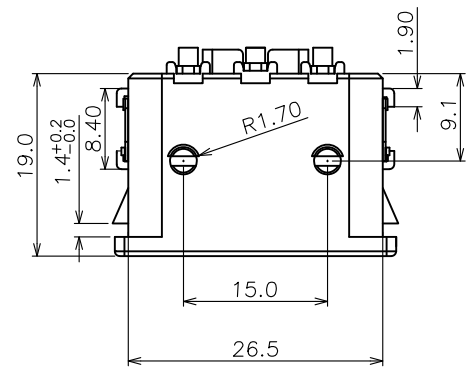
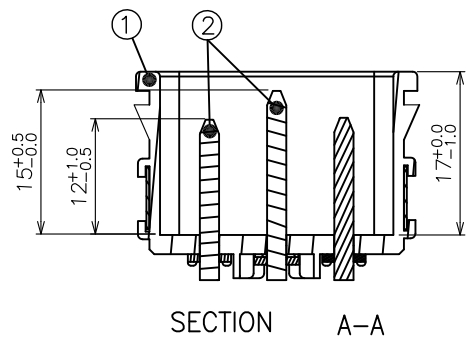


符合"DLK环境管理物质技术标准"

工程变更通知单 ECN(DCN) NO.	版本 REV	日期 DATE	说明 DESCRIPTION	改变 CHANGE	承认 APPRO.
KSECN18022	A	20180404	NEW RELEASE	—	—
KSECN22003	B	20220324	修改塑胶原材料	蒋召	吴豪



NOTE:
 1. MATERIAL:
 1.1 Housing: PA66 UL94v-0, color: Black
 1.2 Contact: Copper alloy
 1.3 Soldering Pin: Copper alloy
 1.4 Soldering Pin: Ferro alloy
 2. PLATING:
 2.1 Contact: Nickel plated overall
 2.2 Soldering Pin: Sn plated, Nickel underplated
 3. MECHANICAL:
 3.1 Mating force: 10~50N
 3.2 Unmating force: 60N Max
 3.3 Durability: 5000 cycles
 4. ELECTRICAL:
 4.1 Current Rating: 2.5/7A
 4.2 Voltage Rating: 125/250V
 4.3 Dielectric strength: 2000V AC FOR 1 minute
 4.4 Insulation Resistance: 100MΩ Min.
 4.5 Contact Resistance: 30mΩ Max
 5. Operating Temperature: -55°C to +85°C
 6. PACKING: BOX



RECOMMENDED PCB LAYOUT
 TOLERANCE: ±0.05mm

NO.	ITEM	Q'TY	DESCRIPTION	FINISH
4	Soldering Pin	1	Ferro alloy	Tin
3	Soldering Pin	3	Copper alloy	Tin
2	Contact Pin	3	Copper alloy	Ni
1	INSULATOR	1	PA66 HPF UL94V-0	Black

GENERAL TOLERANCE
 UNLESS OTHERWISE NOTED

Angle	±5°
X.	±0.30
.X	±0.25
.XX	±0.15
.XXX	±0.10

德力康电子科技有限公司
 DLK DELIKANG ELECTRONICS TECHNOLOGY CO.,LTD

C 名称 TITLE:	CDJ-3 底部切平90D 无卤无红磷带铁壳			
档案名称 FILE NAME:	C-ACT3K-00-16HPF	料号 PART NO.:	73K03B43163	
DRAWING	汪庆	CHECKED	王永辉	APPROVED 严成旺
UNIT:	mm	SCALE	1:1	SHEET: 1 of 1