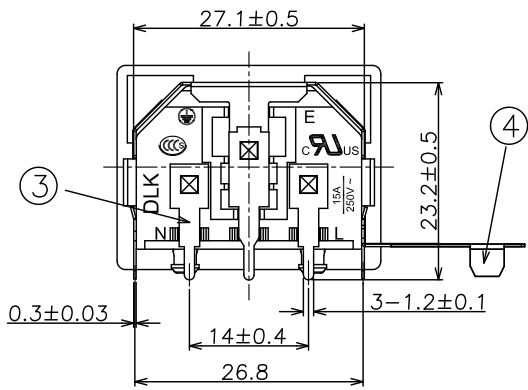
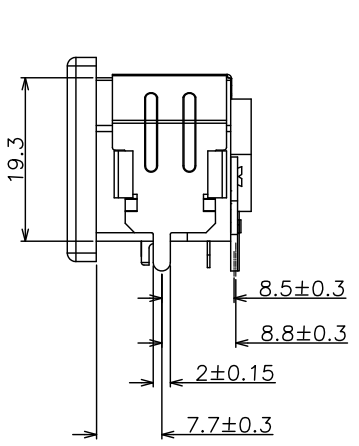
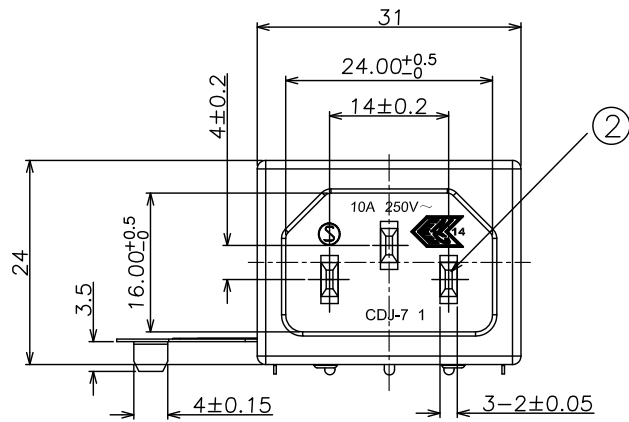


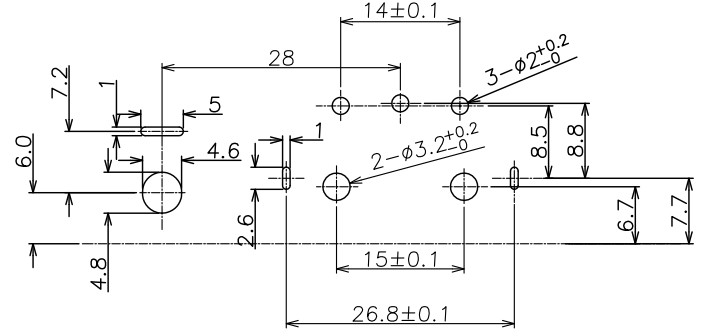
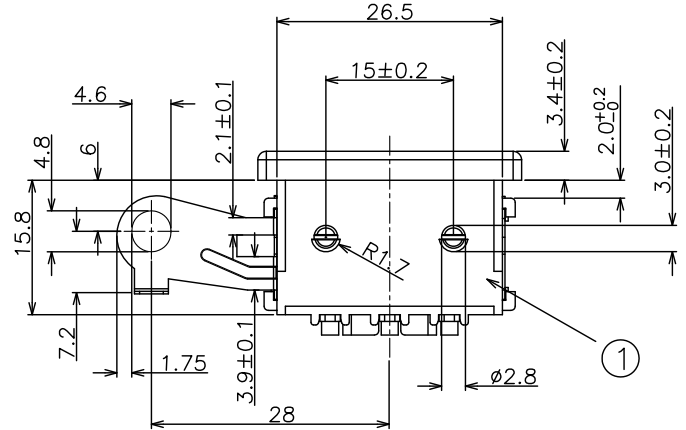
符合"DLK环境管理物质技术标准"

工程变更通知单 ECN(DCN) NO.	版本 REV	日期 DATE	说明 DESCRIPTION	改变 CHANGE	承认 APPRO.
KSECN21001	A	20210104	NEW RELEASE	—	—
KSECN21013	B	20210429	依客户要求修改马口铁尺寸与宏昌一致	蒋 召	王晓东



NOTE:

- MATERIAL:
 - Housing: PA66 UL94v-0, color: Black
 - Contact: Copper alloy
 - Soldering Pin: Copper alloy
 - Soldering Pin: Ferro alloy
- PLATING:
 - Contact: Nickel plated overall
 - Soldering Pin: Sn plated, Nickel underplated
- MECHANICAL:
 - Mating force: 10~50N
 - Unmating force: 60N Max
 - Durability: 5000 cycles
- ELECTRICAL:
 - Current Rating: 2.5/7A
 - Voltage Rating: 125/250V
 - Dielectric strength: 2000V AC FOR 1 minute
 - Insulation Resistance: 100MΩ Min.
 - Contact Resistance: 30mΩ Max
 - Operating Temperature: -55°C to +85°C
- PACKING: Tray



RECOMMENDED PCB LAYOUT
TOLERANCE: ±0.05mm

NO.	ITEM	Q'TY	DESCRIPTION	FINISH
4	Soldering Pin	1	Ferro alloy	Tin
3	Soldering Pin	3	Copper alloy	Tin
2	Contact Pin	3	Copper alloy	Nickel
1	Housing	1	PA66 UL 94-V0	Black

GENERAL TOLERANCE UNLESS OTHERWISE NOTED	
Angle	±5°
X.	±0.35
.X	±0.28
.XX	±0.15
.XXX	±0.10

DLK 德力康电子科技有限公司
DELIKANG ELECTRONICS TECHNOLOGY CO.,LTD

C 名称	AC 90D 19H 左侧带接地导电片铁壳			
档案名称	C-ACT3K-00-30	料号	73K03B43300	
FILE NAME:		PART NO.:		
DRAWING	蒋 召	CHECKED	—	APPROVED 覃智森
UNIT:	mm	SCALE	1:1	SHEET: 1 of 1