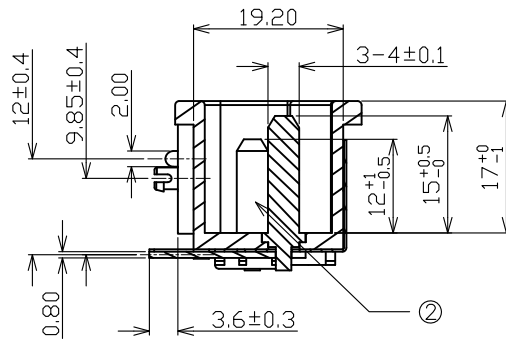
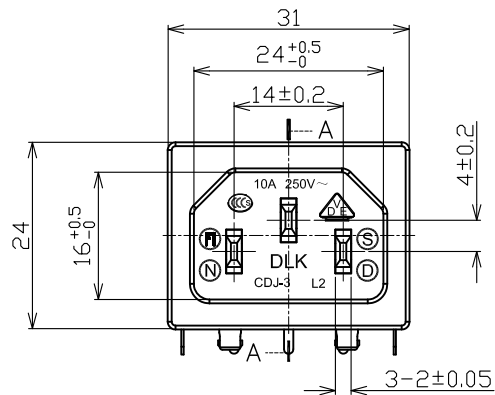
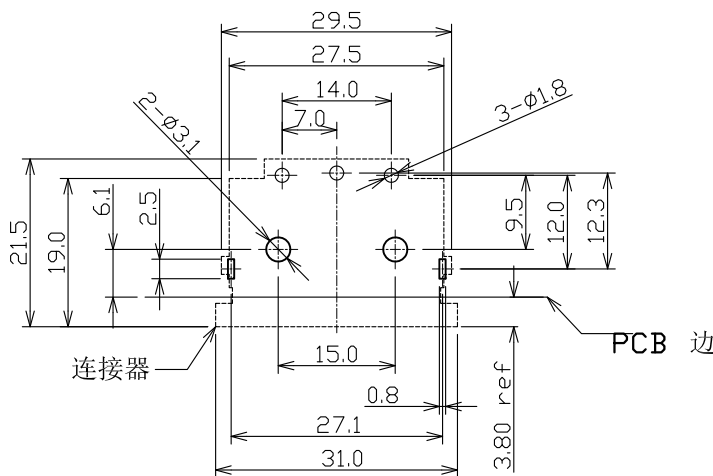
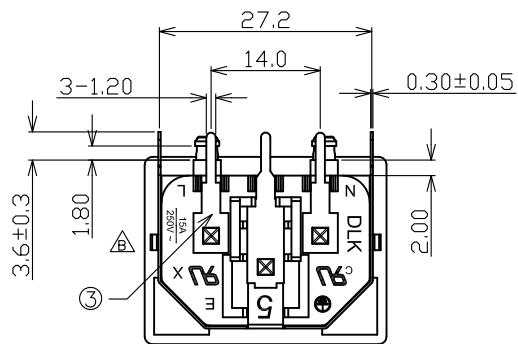
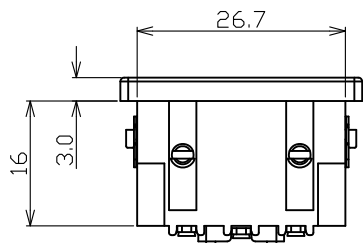


符合"DLK环境管理物质技术标准"

工程变更通知单 ECN(DCN) NO.	版本 REV	日期 DATE	说明 DESCRIPTION	改变 CHANGE	承认 APPRO.
KSECN21002	A	20210106	NEW RELEASE	—	—
KSECN21061	B	20211223	配合自动机修改插件与塑胶 \triangle *1	蒋召	吴豪



SECTION: A-A



RECOMMENDED PCB LAYOUT
TOLERANCE: $\pm 0.05\text{mm}$

NOTE:

- MATERIAL:
 - Housing: PA66 UL94v-0, color: Black
 - Contact: Copper alloy
 - Soldering Pin: Copper alloy
 - Soldering Pin: Ferro alloy
- PLATING:
 - Contact: Nickel plated overall
 - Soldering Pin: Sn plated, Nickel underplated
- MECHANICAL:
 - Mating force: 10~50N
 - Unmating force: 60N Max
 - Durability: 5000 cycles
- ELECTRICAL:
 - Current Rating: 2.5/7A
 - Voltage Rating: 250V
 - Dielectric strength: 2000V AC FOR 1 minute
 - Insulation Resistance: 100M Ω Min.
 - Contact Resistance: 30m Ω Max
 - Operating Temperature: -55 $^{\circ}\text{C}$ to +85 $^{\circ}\text{C}$
- PACKING: BOX

NO.	ITEM	Q'TY	DESCRIPTION	FINISH
4	Soldering Pin	1	Ferro alloy	Sn PLATED
3	Soldering Pin	3	Copper alloy	Sn PLATED
2	Contact Pin	3	Copper alloy	Ni PLATED
1	HOUSING	1	PA66 UL 94V-0	BLACK

GENERAL TOLERANCE
UNLESS OTHERWISE NOTED

Angle	$\pm 5^{\circ}$
X.	± 0.35
.X	± 0.25
.XX	± 0.15
.XXX	± 0.10



德力康电子科技有限公司



DELIKANG ELECTRONICS TECHNOLOGY CO.,LTD

C 名称	ACT3L 加高2mm			
档案名称	C-ACT3L-00-21	料号	73L03B43210	
FILE NAME:		PART NO.:		
DRAWING	蒋召	CHECKED	—	APPROVED 覃智森
UNIT:	mm	SCALE	1:1	SHEET: 1 of 1