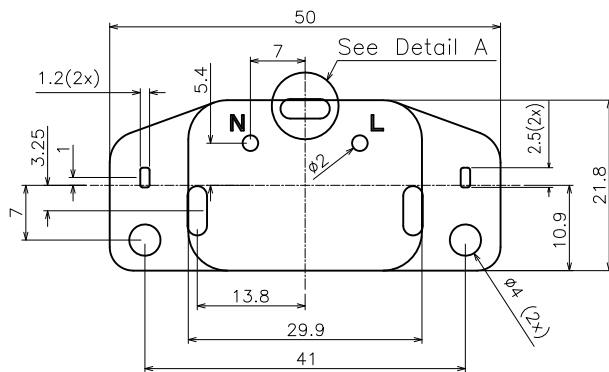
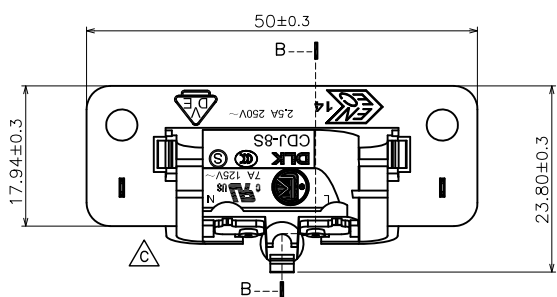
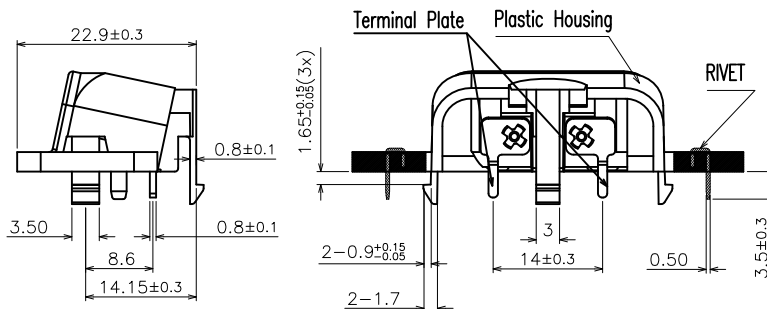
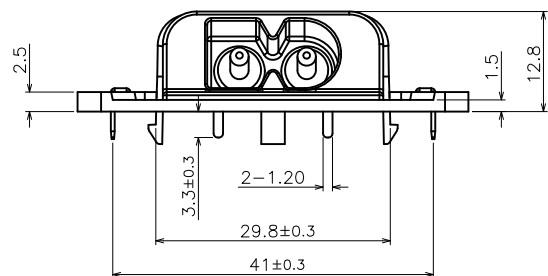
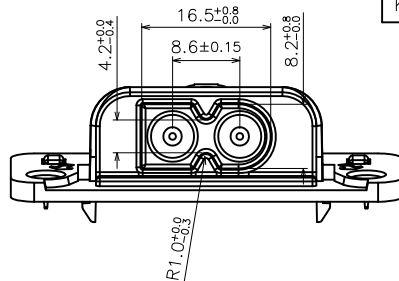
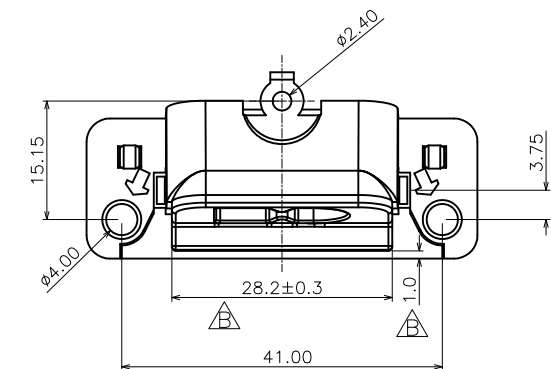


符合"DLK环境管理物质技术标准"

工程变更通知单 ECN(DCN) NO.	版本 REV	日期 DATE	说明 DESCRIPTION	改变 CHANGE	承认 APPRO.
KSECR15041	A	20150810	NEW RELEASE	—	—
KSECR18067	B	20181213	塑胶凸合加胶增标1.0和128.2mm尺寸 $\Delta B * 2$	王永辉	严成旺
KSECN21031	C	20210811	安规刻字由5A 250V~ 改为7A 125V $\Delta C * 1$	蒋召	蒋召



RECOMMENDED PCB PLAYOUT  
TOLERANCE: ±0.05mm

NOTE:

- MATERIAL:
  - Housing: PA66 UL94v-0, color: Black
  - Contact: Copper alloy
  - Soldering Pin: Copper alloy
  - Rivet: Ferro alloy
- PLATING:
  - Contact: Nickel plated overall
  - Soldering Pin: Sn plated, Nickel underplated
- MECHANICAL:
  - Mating force: 10~50N
  - Unmating force: 60N Max
  - Durability: 5000 cycles
- ELECTRICAL:
  - Current Rating: 2.5/7A
  - Voltage Rating: 125/250V
  - Dielectric strength: 2000V AC FOR 1 minute
  - Insulation Resistance: 100MΩ Min.
  - Contact Resistance: 30mΩ Max
  - Operating Temperature: -55°C to +85°C
- PACKING: BOX



德力康电子科技有限公司



DELIKANG ELECTRONICS TECHNOLOGY CO.,LTD

GENERAL TOLERANCE  
UNLESS OTHERWISE NOTED

Angle	±5°
X.	±0.35
.X	±0.25
.XX	±0.15
.XXX	±0.10
A4	

C 名称	CDJ-8S+RIVET			
档案名称	C-ACT1S-00-07	料号	71S02B34070	
FILE NAME:	C-ACT1S-00-07	PART NO:	71S02B34070	
DRAWING	陆桂棚	CHECKED	~~	APPROVED 严成旺
UNIT:	mm	SCALE	1:1	SHEET: 1 of 1

NO.	ITEM	Q'TY	DESCRIPTION	FINISH
4	RIVET	2	Ferro alloy	TIN
3	SOLDERING	2	Copper alloy	MIST TIN
2	CONTACT	2	Copper alloy	NI
1	HOUSING	1	PA66 UL 94V-0	BLACK