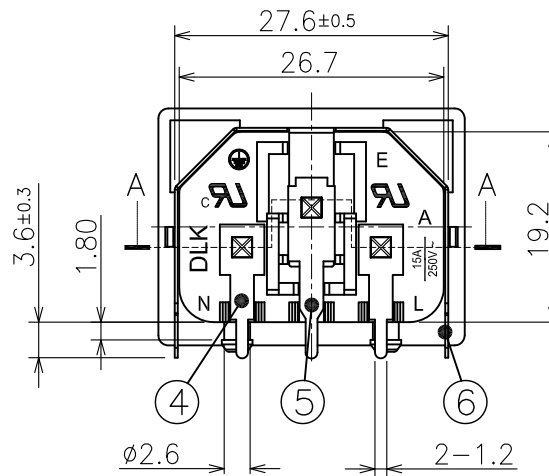
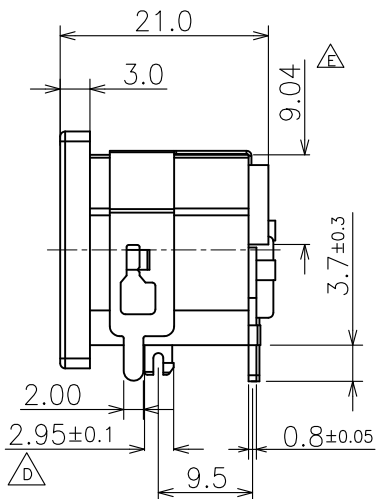
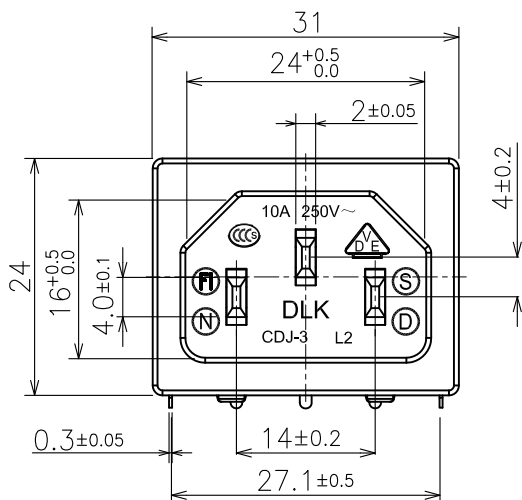


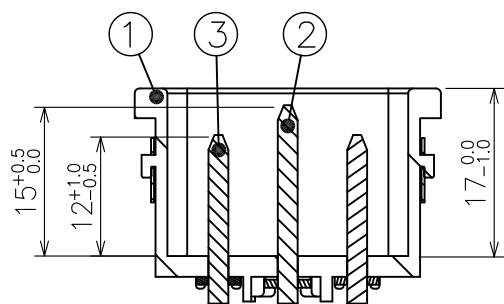
符合“DLK环境管理物质技术标准”

工程变更通知单 ECN(DCN) NO.	版本 REV	日期 DATE	说明 DESCRIPTION	改变 CHANGE	承认 APPRO
KSECN14011	C	20140508	转昆山发行	王莉	严成旺
KSECN14029	D	20150129	修改定位柱尺寸由3.1变更为2.95	陆桂棚	严成旺
KSECN21061	E	20211223	配合自动机修改插片与塑胶 $\triangle$ *1	蒋台	吴豪

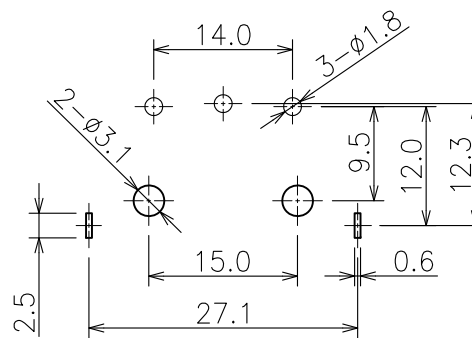
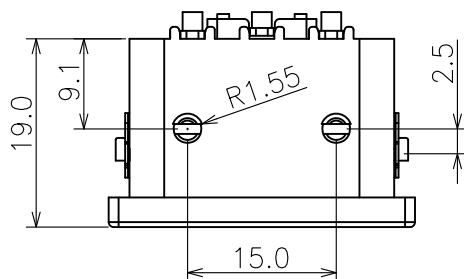


NOTE:

- MATERIAL:
  - Housing: PA66 UL94v-0, color: Black
  - Contact: Copper alloy
  - Soldering Pin: Copper alloy
  - Soldering Pin: Ferro alloy
- PLATING:
  - Contact: Nickel plated overall
  - Soldering Pin: Sn plated, Nickel underplated
- MECHANICAL:
  - Mating force: 10~50N
  - Unmating force: 60N Max
  - Durability: 5000 cycles
- ELECTRICAL:
  - Current Rating: 2.5/7A
  - Voltage Rating: 125/250V
  - Dielectric strength: 2000V AC FOR 1 minute
  - Insulation Resistance: 100MΩ Min.
  - Contact Resistance: 30mΩ Max
  - Operating Temperature: -55°C to +85°C
- PACKING: BOX



SECTION A-A



RECOMMENDED PCB LAYOUT

TOLERANCE: ±0.05mm

NO.	ITEM	Q'TY	DESCRIPTION	FINISH
4	Soldering Pin	1	Ferro alloy	TIN
3	Soldering Pin	3	Copper alloy	TIN
2	Contact Pin	3	Copper alloy	NICKEL
1	INSULATOR	1	NYLON UL 94V-0	BLACK

GENERAL TOLERANCE  
UNLESS OTHERWISE NOTED

Angle	±5°
X.	±0.35
.X	±0.25
.XX	±0.15
.XXX	±0.10



德力康电子科技有限公司

DLK DELIKANG ELECTRONICS TECHNOLOGY CO.,LTD

C 名称 TITLE:	CDJ-3L-2-B1			
档案名称 FILE NAME:	C-ACT3L-00-03	料号 PART NO.:	73L03B43030	
DRAWING	刘三乐	CHECKED	李如均	APPROVED 严成旺
UNIT:	mm	SCALE	1:1	SHEET: 1 of 1