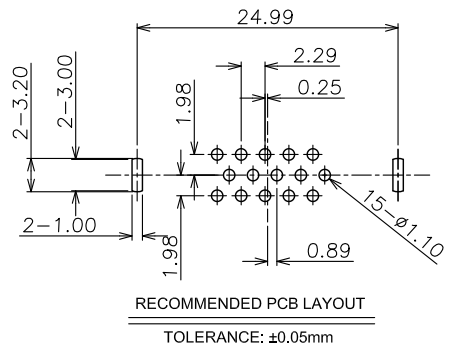
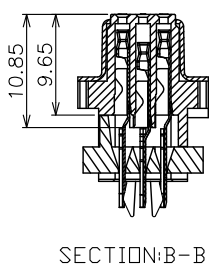
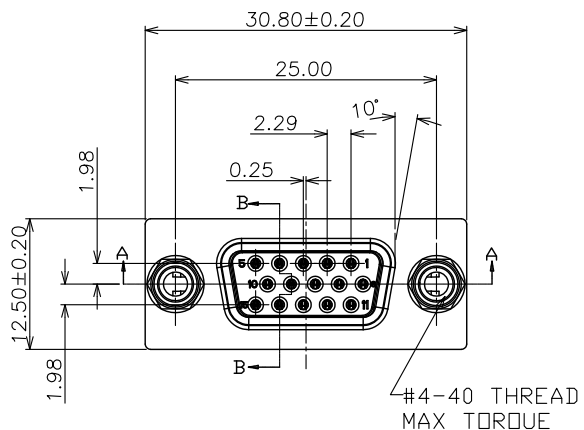


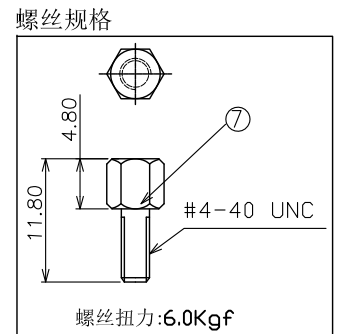
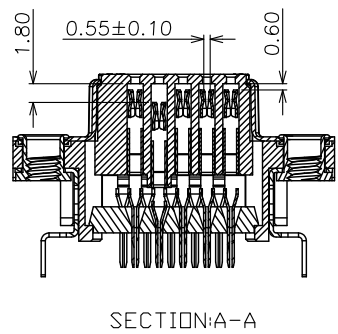
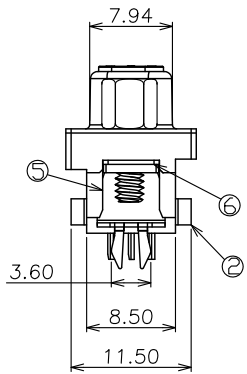
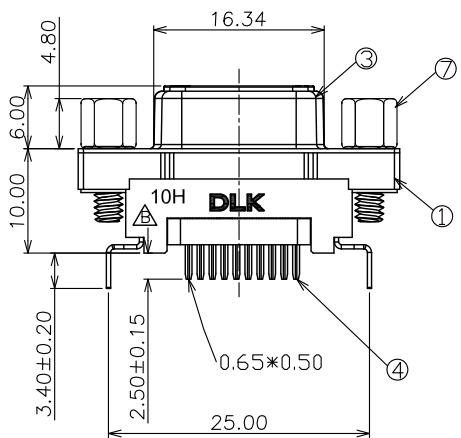
符合"DLK环境管理物质技术标准"

符合"IEC协会标准"

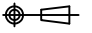
工程变更通知单 ECN(DCN) NO.	版本 REV	日期 DATE	说明 DESCRIPTION	改变 CHANGE	承认 APPRO.
KSECN14056	A	20140915	NEW RELEASE	—	—
KSECN19026	B	20190603	依实物增加10H字样  *1	王永辉	严成旺




- NOTE:
- MATERIAL:
    - Housing/Cover: PBT UL94v-0, color: Black
    - Contact: Copper alloy
    - Shell: Ferro alloy
    - Rivet Insert: Ferro alloy
    - Rivet: Copper alloy
    - Screw: Ferro alloy
  - PLATING:
    - Contact: 1u"Au plated on contact Area, 100u" Min. Tin plated on solder tail, 50u" Min. Nickel underplated
    - Shell: Nickel plated overall
  - MECHANICAL:
    - Insertion force: 2.0~5.0kgf.
    - Withdrawal force: 1.0Kgf Min.
    - Durability: 500 cycles Min.
  - ELECTRICAL:
    - Current Rating: 1.0A
    - Voltage Rating: 36V
    - Dielectric strength: 500V AC FOR 1 minute
    - Insulation Resistance: 1000MΩ Min.
    - Contact Resistance: 30mΩ Max
  - Operating Temperature: -55°C to +105°C
  - PACKING: Tray



7	SCREW	2	FERROALLOY	Ni PLATED
6	RIVET	2	COPPER ALLOY	Ni PLATED
5	RIVET INSERT	2	FERROALLOY	Tin PLATED
4	CONTACT	15	COPPER ALLOY	Au AND Tin PLATED
3	SHELL	1	FERROALLOY	Ni PLATED
2	COVER	1	PBT	UL94V-0
1	HOUSING	1	PBT	UL94V-0
NO.	ITEM	Q'TY	DESCRIPTION	FINISH

GENERAL TOLERANCE UNLESS OTHERWISE NOTED	
Angle	±5°
.X	±0.35
.XX	±0.25
.XXX	±0.10
A4	

 德力康电子科技有限公司  
DLK DELIKANG ELECTRONICS TECHNOLOGY CO.,LTD

名称 TITLE: D-SUB V/T 10H CONN.  
档案名称 FILE NAME: C-DSB47-00-0G 料号 PART NO.: 84715B213G0

DRAWING: 王永辉 CHECKED: APPROVED 严成旺

UNIT: mm SCALE: 1:1 SHEET: 1 of 1