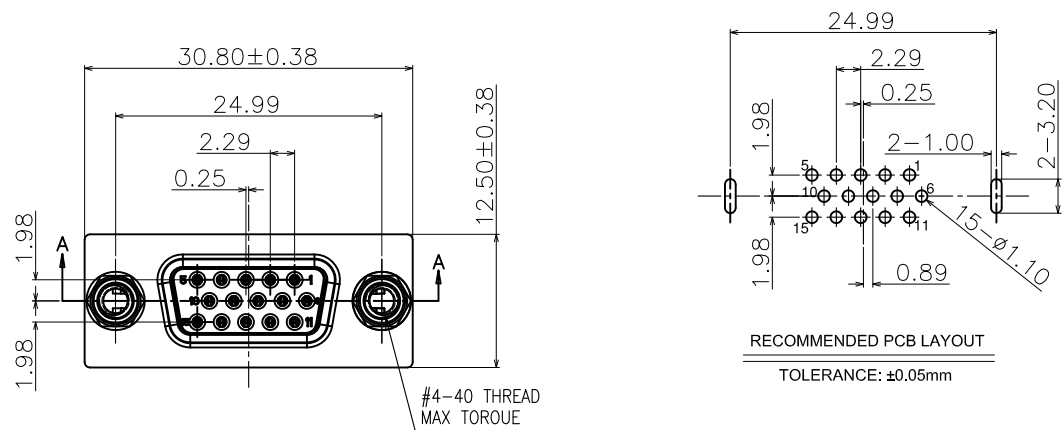


符合"DLK环境管理物质技术标准"

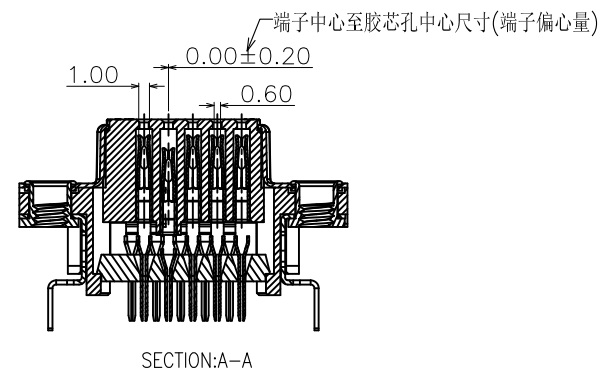
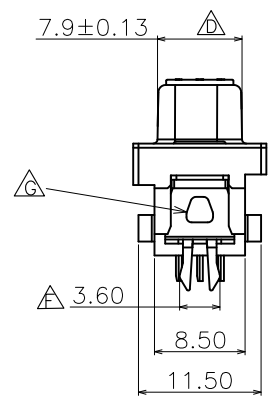
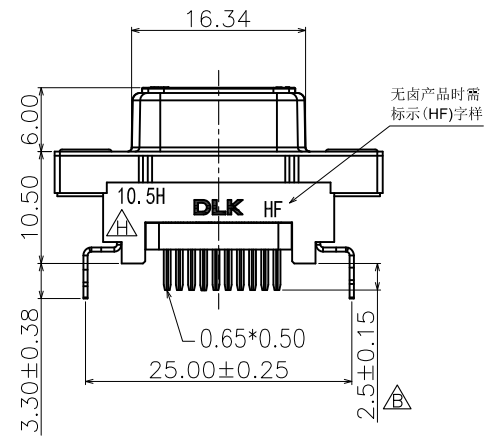
符合"IEC协会标准"

工程变更通知单 ECN(DCN) NO.	版本 REV	日期 DATE	说明 DESCRIPTION	改变 CHANGE	承认 APPRO.
KSECN12018	F	20120329	变更叉片材质及图框 \triangle *2 图面3.78mm尺寸依实物修改为3.60mm	王永辉	严成旺
KSECN13039	G	20131206	修改叉脚圆孔形状 \triangle *1	王永辉	严成旺
KSECN19026	H	20190530	依实物增加10.5H字样 \triangle *1	王永辉	严成旺



RECOMMENDED PCB LAYOUT
TOLERANCE: ±0.05mm

- NOTE:
- MATERIAL:
 - Housing/Cover: PBT UL94v-0, color: Blue
 - Contact: Copper alloy
 - Shell: Ferro alloy
 - Rivet Insert: Ferro alloy
 - Rivet: Copper alloy
 - PLATING:
 - Contact: 1u" Au plated on contact Area, 100u" Min. Tin plated on solder tail, 50u" Min. Nickel underplated
 - Shell: Nickel plated overall
 - MECHANICAL:
 - Insertion force: 2.0~5.0kgf.
 - Withdrawal force: 1.0Kgf Min.
 - Durability: 500 cycles Min.
 - ELECTRICAL:
 - Current Rating: 1.0A
 - Voltage Rating: 36V
 - Dielectric strength: 500V AC FOR 1 minute
 - Insulation Resistance: 1000MΩ Min.
 - Contact Resistance: 30mΩ Max
 - Operating Temperature: -55°C to +105°C
 - PACKING: Tray



6	RIVET	2	COPPER ALLOY	Ni PLATED
5	RIVET INSERT	2	\triangle FERROALLOY	Tin PLATED
4	CONTACT	15	COPPER ALLOY	Au AND Tin PLATED
3	SHELL	1	FERROALLOY	Ni PLATED
2	COVER	1	PBT	UL94V-0
1	HOUSING	1	PBT	UL94V-0
NO.	ITEM	Q'TY	DESCRIPTION	FINISH

GENERAL TOLERANCE UNLESS OTHERWISE NOTED		德力康电子科技有限公司 DLK DELIKANG ELECTRONICS TECHNOLOGY CO.,LTD			
Angle	±5°	C 名称 TITLE: D-SUB-15PIN(180度)母头,10.5H			
X.	±0.35	档案名称 FILE NAME: C-DSB46-00-00		料号 PART NO: 84615L21300	
.X	±0.25	DRAWING		ZENGER	CHECKED
.XX	±0.15	UNIT: mm		SCALE	1:1
.XXX	±0.10	SHEET: 1 of 1		APPROVED	CW.Y