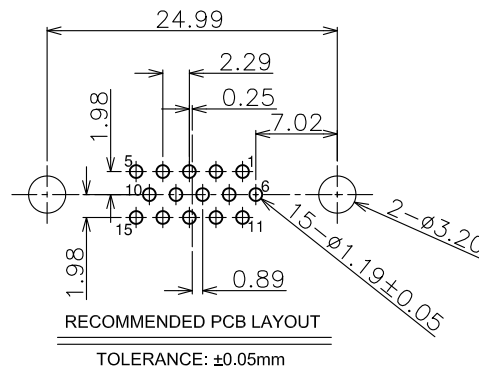
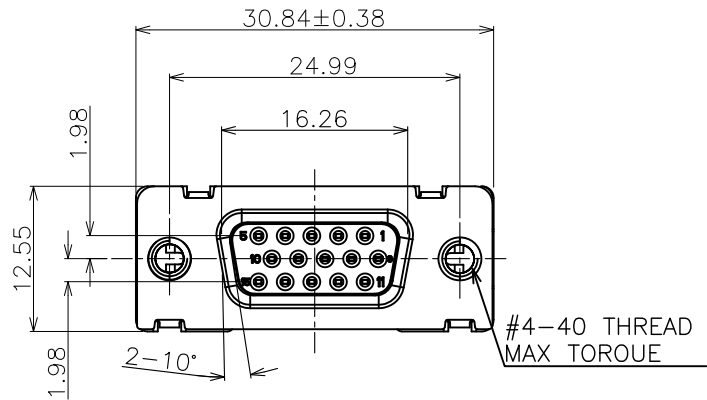


符合"DLK环境管理物质技术标准"

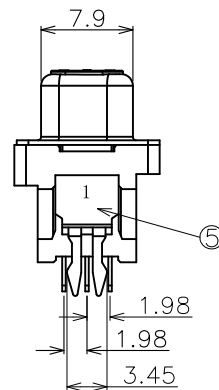
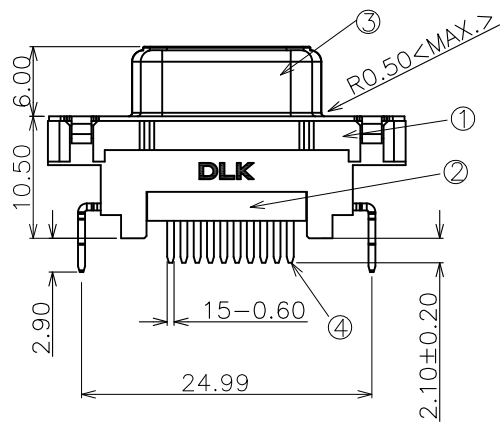
符合"IEC协会标准"

工程变更通知单 ECN(DCN) NO.	版本 REV	日期 DATE	说明 DESCRIPTION	改变 CHANGE	承认 APPRO.
KSECN19009	A	20190321	NEW RELEASE	—	—



NOTE:

- MATERIAL:
 - Housing/Cover: PBT UL94v-0, color: Blue
 - Contact: Copper alloy
 - Shell: Ferro alloy
 - Rivet Insert:Ferro alloy
- PLATING:
 - Contact: 1u"Au plated on contact Area, 100u" Min. Matte Tin plated on solder tail, 50u" Min.Nickel underplated
 - Shell: Nickel plated overall
- MECHANICAL:
 - Insertion force:2.0~5.0kgf.
 - Withdrawal force:1.0Kg Min.
 - Durability:500 cycles Min.
- ELECTRICAL:
 - Current Rating:1.0A
 - Voltage Rating:36V
 - Dielectric strength:500V AC FOR 1 minute
 - Insulation Resistance:1000MΩ Min.
 - Contact Resistance:30mΩ Max
 - Operating Temperature:-55°c to +105°c
- PACKING: Tray



5	RIVET INSERT	2	FERROALLOY	Tin PLATED
4	CONTACT	15	COPPER ALLOY	Au AND Tin PLATED
3	SHELL	1	FERROALLOY	Ni PLATED
2	COVER	1	PBT	UL94V-0 BLUE
1	HOUSING	1	PBT	UL94V-0 BLACK
NO.	ITEM	Q'TY	DESCRIPTION	FINISH

GENERAL TOLERANCE
UNLESS OTHERWISE NOTED



德力康电子科技有限公司

DLK DELIKANG ELECTRONICS TECHNOLOGY CO.,LTD

Angle	±5°
X.	±0.35
.X	±0.25
.XX	±0.15
.XXX	±0.10

名称 TITLE:	D-SUB 立式 10.5H 鱼叉脚叉片			
档案名称 FILE NAME:	C-DSB4T-00-0P	料号 PART NO.:	84T15L013P0	
DRAWING	王永辉	CHECKED	—	APPROVED 严成旺
UNIT:	mm	SCALE	1:1	SHEET: 1 of 1