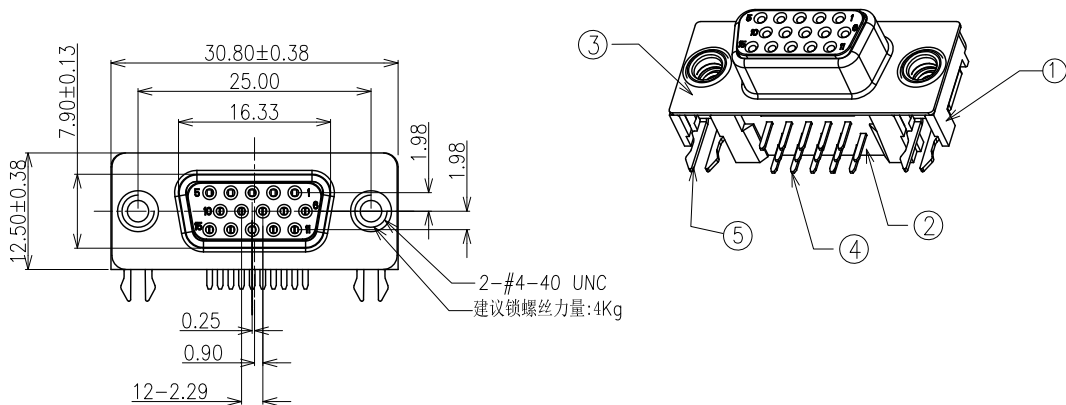


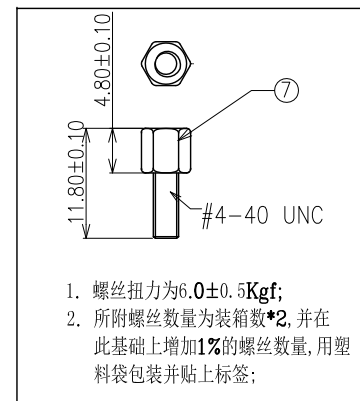
符合"DLK环境管理物质技术标准"

符合"IEC协会标准"

工程变更通知单 ECN(DCN) NO.	版本 REV	日期 DATE	说明 DESCRIPTION	变更 CHANGE	核准 APPRO.
KSECN15007	A	20150312	RIVET INSERT	—	—
KSECN16067	B	20160927	后盖增加逃料 \triangle *1	万小龙	王永辉
KSECN18038	C	20190402	增加锁螺丝和附螺丝料号 \triangle *1	王永辉	严成旺

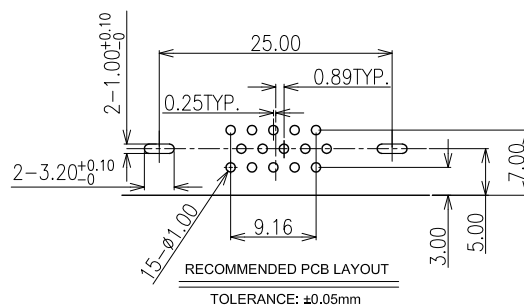
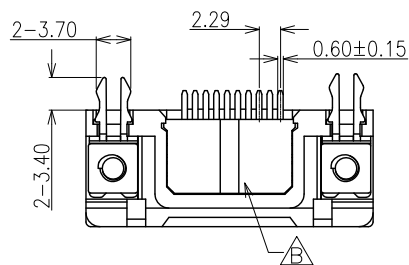
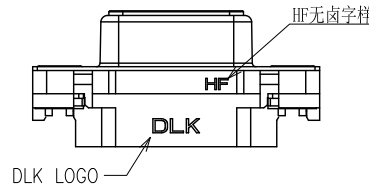
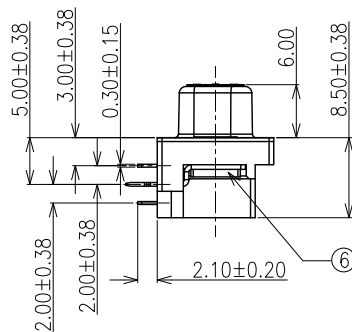
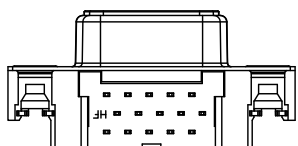


螺丝规格



NOTE:

- MATERIAL:
 - Housing/Cover: PBT UL94v-0, color: Blue
 - Contact: Copper alloy
 - Shell: Ferro alloy
 - Rivet Insert: Ferro alloy
 - RIVET: Copper alloy
 - Screw: Ferro alloy
- PLATING:
 - Contact: 1u" Au plated on contact Area, 100u" Min. Matte Tin plated on solder tail, 50u" Min. Nickel underplated
 - Shell: Nickel plated overall
- MECHANICAL:
 - Insertion force: 2.0~5.0kgf.
 - Withdrawal force: 1.0Kgf Min.
 - Durability: 500 cycles Min.
- ELECTRICAL:
 - Current Rating: 1.0A
 - Voltage Rating: 36V
 - Dielectric strength: 500V AC FOR 1 minute
 - Insulation Resistance: 1000M Ω Min.
 - Contact Resistance: 30m Ω Max
 - Operating Temperature: -55°c to +105°c
- PACKING: Tray



NO.	ITEM	Q'TY	DESCRIPTION	FINISH
7	Screw	2	FERROALLOY	Nickel plated
6	RIVET	2	COPPER ALLOY	Ni PLATED
5	RIVET INSERT	2	FERROALLOY	Tin PLATED
4	Contact	15	COPPER ALLOY	Au AND Tin PLATED
3	Shell	1	FERROALLOY	Ni PLATED
2	Cover	1	PBT+GF30 无卤	UL94V-0, Black
1	Housing	1	PBT+GF30 无卤	UL94V-0, BLUE

GENERAL TOLERANCE UNLESS OTHERWISE NOTED

Angle	±5°
X.	±0.35
.X	±0.25
.XX	±0.15
.XXX	±0.15
A4	

德力康电子科技有限公司
DLK DELIKANG ELECTRONICS TECHNOLOGY CO.,LTD

C	名称 TITLE:	D-SUB R/A 12.5H CONN. 附螺丝			
	档案名称 FILE NAME:	C-DSB4W-00-HF	料号 PART NO:	84W15L01341	
	DRAWING	王永辉	CHECKED	APPROVED	严成旺
	UNIT:	mm	SCALE	1:1	SHEET: 1 of 1