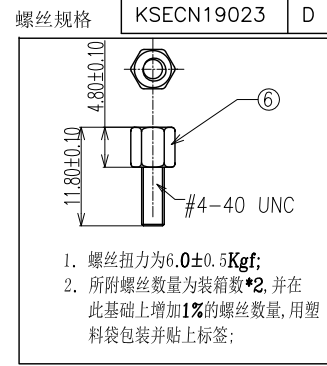
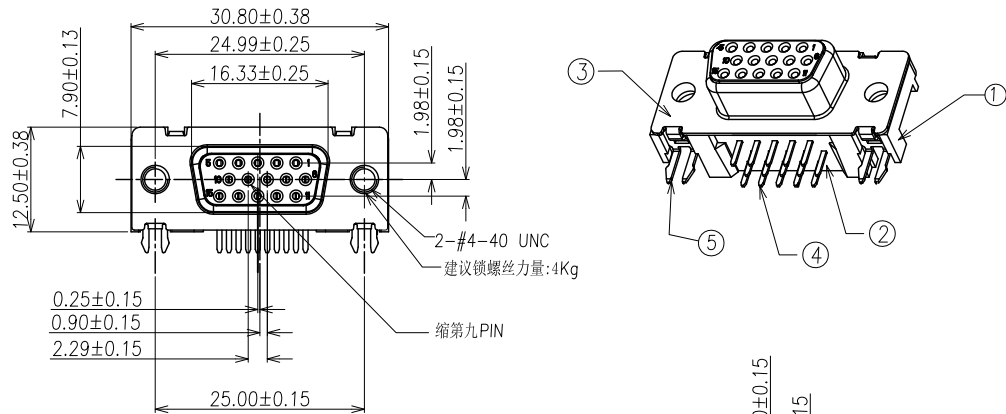


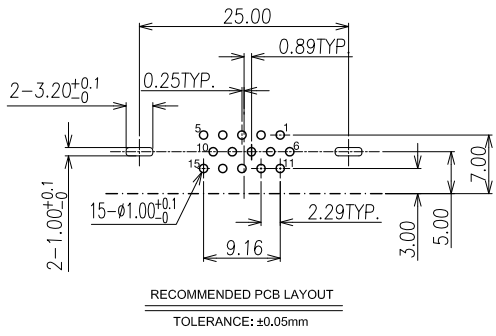
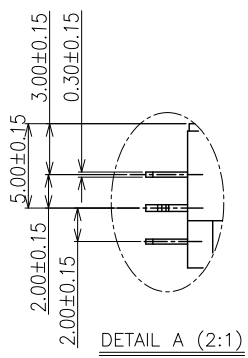
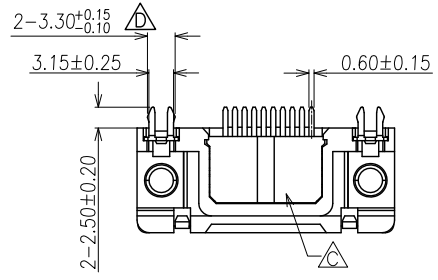
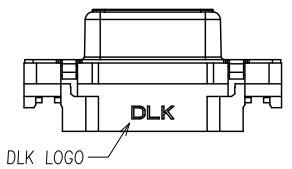
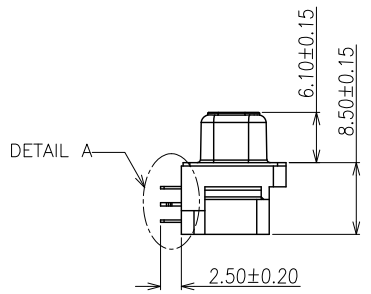
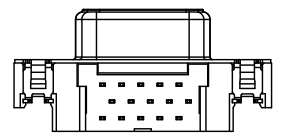
符合"DLK环境管理物质技术标准"

符合"IEC协会标准"

工程变更通知单 ECN(DCN) NO.	版本 REV	日期 DATE	说明 DESCRIPTION	改变 CHANGE	承认 APPRO.
KSECN15012	B	20150428	1.增加DSB4PD-15LS1YN32料号 2.增加黑色料号 $\Delta$ B*2	王永辉	严成旺
KSECN16067	C	20160912	后盖增加逃料 $\Delta$ *1	王小龙	王永辉
KSECN19023	D	20190521	依实物将3.45±0.15mm改为3.30 $^{+0.15}_0$ mm $\Delta$ *1	王永辉	严成旺



- NOTE:
- MATERIAL:
    - Housing/Cover: PBT UL94v-0, color: Blue
    - Contact: Copper alloy
    - Shell: Ferro alloy
    - Rivet Insert:Ferro alloy
    - Screw:Ferro alloy
  - PLATING:
    - Contact: 1u"Au plated on contact Area, 100u" Min. Tin plated on solder tail, 50u" Min.Nickel underplated
    - Shell: Nickel plated overall
  - MECHANICAL:
    - Insertion force:2.0~5.0kgf.
    - Withdrawal force:1.0Kgf Min.
    - Durability:500 cycles Min.
  - ELECTRICAL:
    - Current Rating:1.0A
    - Voltage Rating:36V
    - Dielectric strength:500V AC FOR 1 minute
    - Insulation Resistance:1000MΩ Min.
    - Contact Resistance:30mΩ Max
    - Operating Temperature:-55°c to +105°c
  - PACKING: Tray



NO.	ITEM	Q'TY	DESCRIPTION	FINISH
6	SCREW	2	FERROALLOY	Ni PLATED
5	RIVET INSERT	2	FERROALLOY	Tin PLATED
4	Contact	15	COPPER ALLOY	Au And Tin plated
3	Shell	1	FERROALLOY	Ni PLATED
2	Cover	1	PBT	UL94V-0,BLUE/Black
1	Housing	1	PBT	UL94V-0,BLUE/Black

GENERAL TOLERANCE UNLESS OTHERWISE NOTED		<b>德力康电子科技有限公司</b> DLK DELIKANG ELECTRONICS TECHNOLOGY CO.,LTD			
Angle	±5°	C 名称 TITLE: D-SUB R/A 12.5H CONN			
X.	±0.35	FILE NAME: C-DSB4P-00-00		料号 PART NO: 84P15L21340	
.X	±0.25	DRAWING		王永辉	CHECKED
.XX	±0.15			APPROVED	严成旺
.XXX	±0.10	UNIT: mm		SCALE	1:1
A4		SHEET: 1 of 1			