

# Beyondtech PureGigabit™ Fiber Patch Cables

BTPLCULCU-6DIF-XXXP

Beyondtech's high-quality LC to LC Fiber Patch Cable 9/125µm OS2 fiber is specially designed for fast Ethernet, Fiber Channel, Gigabit Ethernet Speeds, data center, premises, educational, LAN, SAN, commercial, 10GBASE-L (1310 nm), 10GBASE-E (1550 nm), 1000BASE-LX (1300 nm) and Asynchronous Transfer Mode (ATM) applications. It supports video, data and voice services.

## FEATURES AND BENEFITS

- Our OS2 fiber patch cords conform with TIA/EIA 492AAAA and IEC60793-2-10 A1b standards and complies with RoHS specifications.
- Our OS2 cables have a 0.25 dB/km attenuation at 1550 nm and 0.35 dB/km at 1310 nm.
- This Single mode OS2 fiber patch cords operate at -20°C to +70°C and have a minimum installation bending radius of 5.0 cm and a minimum long term bending radius of 3 cm.
- OS2 patch cords allow for connections between patching panels and network and server equipment. OS1 9/125 patch cords are commonly used in passive applications (GPON, FTTH and LANs). - (LC duplex connectors are joined with a plastic clip, easy to remove in case you need to separate the connectors.)

## SPECIFICATIONS

**Color Code:**

Yellow

---

**Bend Radius:**

Minimum / 5cm

---

**Cable Jacket:**

3.0mm LSZH

---

**Operating Temperature:**

-4° to 158° F (-20° to +70° C)

---

**Core:**

OS2 9/125µm

---

**Jacket:**

Standard Zip Cord Duplex

---

**Termination:**

Connector A (LC) / Connector B (LC)

---

**Features:**

Connectors feature dust caps on the tips for protection. LC and LC duplex assemblies are attached with easy-removable clips.



A	B	C	D	E	F	G	H	I	J	K
BT	P	LC	U	LC	U	0	D	C	1M	1P

**Example:** BTPLCULCU0DC1M1P = Beyondtech | Patch Cables | LC | UPC | to LC | UPC | OS1 | Duplex | 3.0mm PVC | 1Meter | 1 Pack

<b>A</b> Beyondtech	<b>B</b> <b>P</b> Fiber Patch Cable <b>C</b> Fiber Connectors <b>A</b> Fiber Adapters <b>AT</b> Fibre Attenuator <b>PI</b> Fiber Pigtail	<b>C</b> <b>A Connector:</b> SC / LC / ST / FC / MJ (MTRJ)
<b>D</b> <b>A Polishing:</b> <b>P</b> PC <b>U</b> UPC <b>A</b> APC	<b>E</b> <b>B Connector:</b> SC / LC / ST / FC MJ (MTRJ)	<b>F</b> <b>B Polishing:</b> <b>P</b> PC <b>U</b> UPC <b>A</b> APC
<b>G</b> <b>0</b> OS1 Single-mode 9/125µm <b>1</b> OM1 Multi-mode 62.5/125µm <b>2</b> OM2 Multi-mode 50/125µm <b>3</b> OM3 Multi-mode 50/125µm 10G <b>4</b> OM4 Multi-mode 50/125µm 100g	<b>H</b> <b>S</b> Simplex <b>D</b> Duplex	<b>I</b> <b>A</b> 0.9mm LSZH <b>B</b> 2.0mm LSZH <b>C</b> 3.0mm LSZH <b>D</b> 0.9mm PVC <b>E</b> 2.0mm PVC <b>F</b> 3.0mm PVC
<b>J</b> <b>Length:</b> Number X (M: Meters / FT: Feet)	<b>K</b> <b>Pack:</b> Number X (P: Pack)	<b>E, F:</b> In case of Fiber pigtail leave blank <b>LSZH</b> (Low Smoke Zero Halogen)  Other options are available. Ask your Beyondtech sales representative.  <b>1</b> Jacket Type (OFNG) <b>2</b> Connector Type: E2000, MTRJ, Female/Male, MTP <b>3</b> Custom cabling per request



For more information on Beyondtech Premium Warranty, visit [beyondtech.us/warranty](https://www.beyondtech.us/warranty)

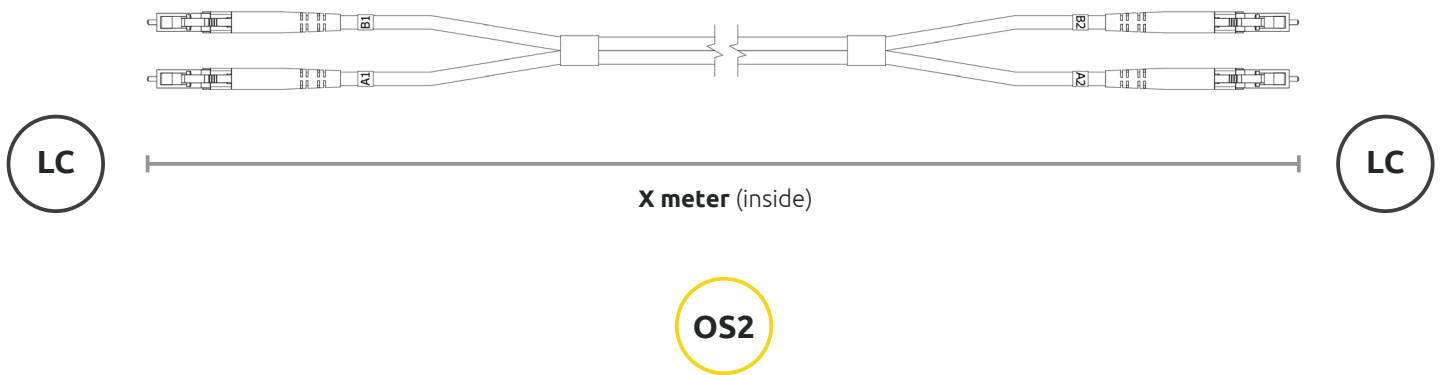


#### DISCLAIMER

This datasheet is from authorship and exclusive property of Beyondtech. His reproduction is banned in the integral or partially without mentioning his authorship, as well as the alteration of his content or context.

#### IMPORTANT NOTICE

All statements, technical information, and recommendations related to Beyondtech products are based on information believed to be reliable, but the accuracy or completeness is not guaranteed. Before using this product, you must evaluate it and determine if it is suitable for your intended application. You assume all risks and liability associated with such use. Any statements related to the product which are not contained in Beyondtech current publications, or any contrary statements contained on your purchase order shall have no force or effect unless expressly agreed upon, in writing, by an authorized officer of Beyondtech.



**SKU:** BTPLCULCU-6DIF-XMXP

**Name:** LC to LC Singlemode Fibre Patch Cord Duplex - XM - UPC - 9/125 OS2um (LSZH) - Beyondtech Optical - PureOptics Cable Series

**Cable Jacket:** 3.0mm LSZH

**Length (ft.):** X

**Length (m):** X

**Connector type A:** LC

**Connector type B:** LC

**Color:** Yellow

**Core:** OS2 9/125

#### WORLDWIDE CORPORATE HEADQUARTERS

Rediret UK LTD.  
London UK.  
info@rediret.com  
+44 (020) 3289.1190

Beyondtech Europe  
Madrid, ES  
info@beyondtech.es  
+34 (747) 869.449

Beyondtech Americas  
Miami, FL, USA  
info@beyondtech.global  
+1 (305) 897.3507

For more information, visit our website  
[www.beyondtech.global](http://www.beyondtech.global), contact us  
at [customer@beyondtech.global](mailto:customer@beyondtech.global) or  
call **+1 (844) 283.5266** (toll-free).