



CGS | CGS TLRP

TE Internal #: 2176422-6

Current Sensing Resistor, Metal Strip, 2512, 3 W, .02 Ω, 1 %, ±75 ppm/°C, Solder, 2 Termination, Height .028 in [.7 mm], CGS TLRP

[View on TE.com >](#)

Passive Components > Resistors > Surface Mount Resistors



Resistor Type: **Current Sensing Resistor**

Element Type: **Metal Strip**

Package Size Code: **2512**

Power Rating: **3 W**

Resistance Value: **.02 Ω**

Features

Product Type Features

| | |
|-------------------|--------------------------|
| Resistor Type | Current Sensing Resistor |
| Element Type | Metal Strip |
| Package Size Code | 2512 |

Configuration Features

| | |
|---------------------|---|
| Number of Resistors | 1 |
|---------------------|---|

Electrical Characteristics

| | |
|-----------------------------|-----------|
| Power Rating | 3 W |
| Resistance Value | .02 Ω |
| Resistance Class | Up to 1kΩ |
| Passive Component Tolerance | 1 % |

Termination Features

| | |
|---|--------|
| Surface Mount Resistor Termination Type | Solder |
| Number of Terminations | 2 |

Dimensions



| | |
|----------------|-----------------|
| Product Height | .7 mm[.028 in] |
| Product Length | 6.4 mm[.252 in] |
| Product Width | 3.2 mm[.126 in] |

Usage Conditions

| | |
|-------------------------|----------------------------------|
| Temperature Coefficient | ± 75 ppm/ $^{\circ}\text{C}$ |
|-------------------------|----------------------------------|

Packaging Features

| | |
|------------------|----------------|
| Packaging Method | Taped & Reeled |
|------------------|----------------|

Product Compliance

[For compliance documentation, visit the product page on TE.com>](#)

| | |
|---|--|
| EU RoHS Directive 2011/65/EU | Compliant |
| EU ELV Directive 2000/53/EC | Compliant |
| China RoHS 2 Directive MIIT Order No 32, 2016 | No Restricted Materials Above Threshold |
| EU REACH Regulation (EC) No. 1907/2006 | Current ECHA Candidate List: JAN 2024 (240) Candidate List Declared Against: JUNE 2023 (235) Does not contain REACH SVHC |
| Halogen Content | Low Halogen - Br, Cl, F, I < 900 ppm per homogenous material. Also BFR/CFR/PVC Free |
| Solder Process Capability | Reflow solder capable to 260 $^{\circ}\text{C}$ |

Product Compliance Disclaimer

This information is provided based on reasonable inquiry of our suppliers and represents our current actual knowledge based on the information they provided. This information is subject to change. The part numbers that TE has identified as EU RoHS compliant have a maximum concentration of 0.1% by weight in homogenous materials for lead, hexavalent chromium, mercury, PBB, PBDE, DBP, BBP, DEHP, DIBP, and 0.01% for cadmium, or qualify for an exemption to these limits as defined in the Annexes of Directive 2011/65/EU (RoHS2). Finished electrical and electronic equipment products will be CE marked as required by Directive 2011/65/EU. Components may not be CE marked. Additionally, the part numbers that TE has identified as EU ELV compliant have a maximum concentration of 0.1% by weight in homogenous materials for lead, hexavalent chromium, and mercury, and 0.01% for cadmium, or qualify for an exemption to these limits as defined in the Annexes of Directive 2000/53/EC (ELV). Regarding the REACH Regulation, the information TE provides on SVHC in articles for this part number is based on the latest European Chemicals Agency (ECHA) 'Guidance on requirements for substances in articles' posted at this URL: <https://echa.europa.eu/guidance-documents/guidance-on-reach>

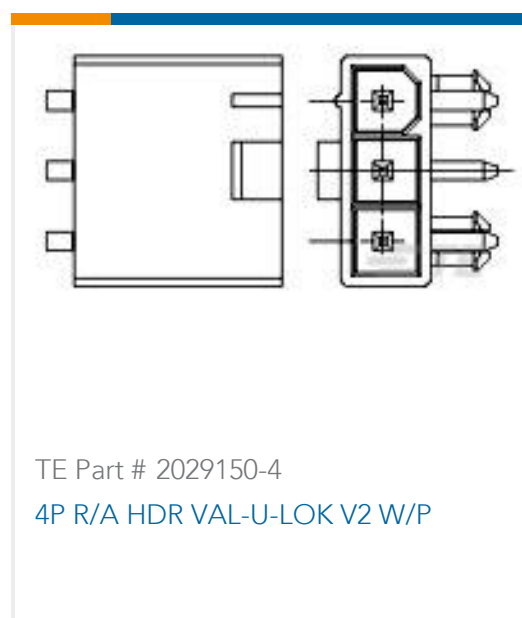
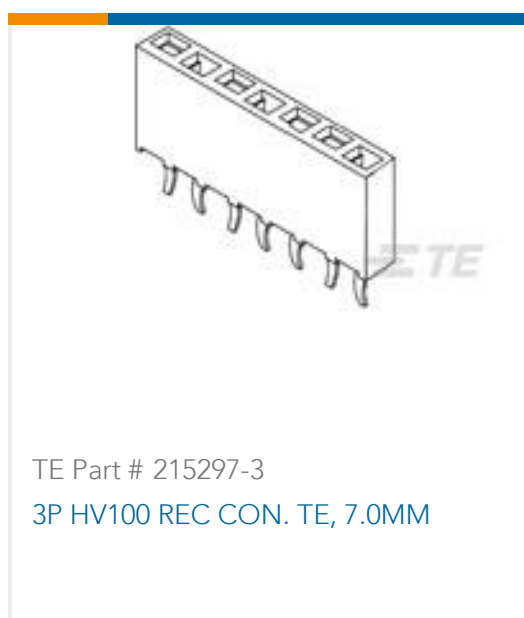
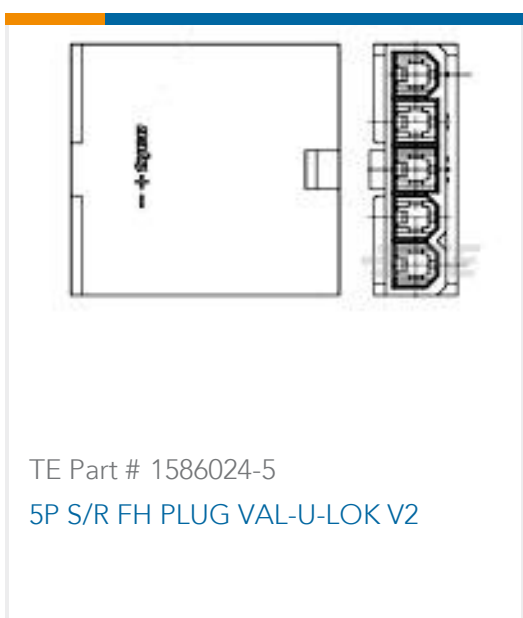
Compatible Parts



Also in the Series | **CGS TLRP**



Customers Also Bought



Documents

Product Drawings

TLRP 2512 3.0W R020 1% 75PPM 4K RL

English

CAD Files

3D PDF

3D



Customer View Model

[ENG_CVM_CVM_2176422-6_BA.2d_dxf.zip](#)

English

Customer View Model

[ENG_CVM_CVM_2176422-6_BA.3d_igs.zip](#)

English

Customer View Model

[ENG_CVM_CVM_2176422-6_BA.3d_stp.zip](#)

English

By downloading the CAD file I accept and agree to the [Terms and Conditions](#) of use.

Datasheets & Catalog Pages

[SMD Low Ohmic Current Sense Resistors - Type TLRP Series](#)

English