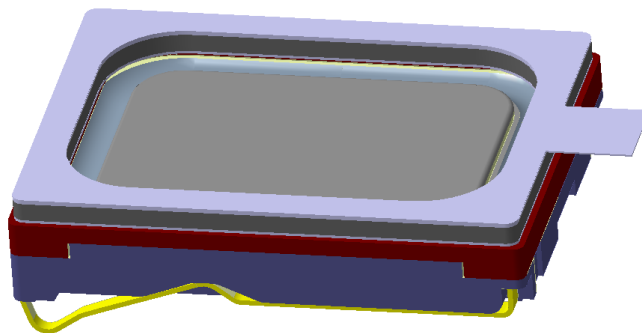


11x15 Loudspeaker
with front gasket

CR1511L030UN8GDA



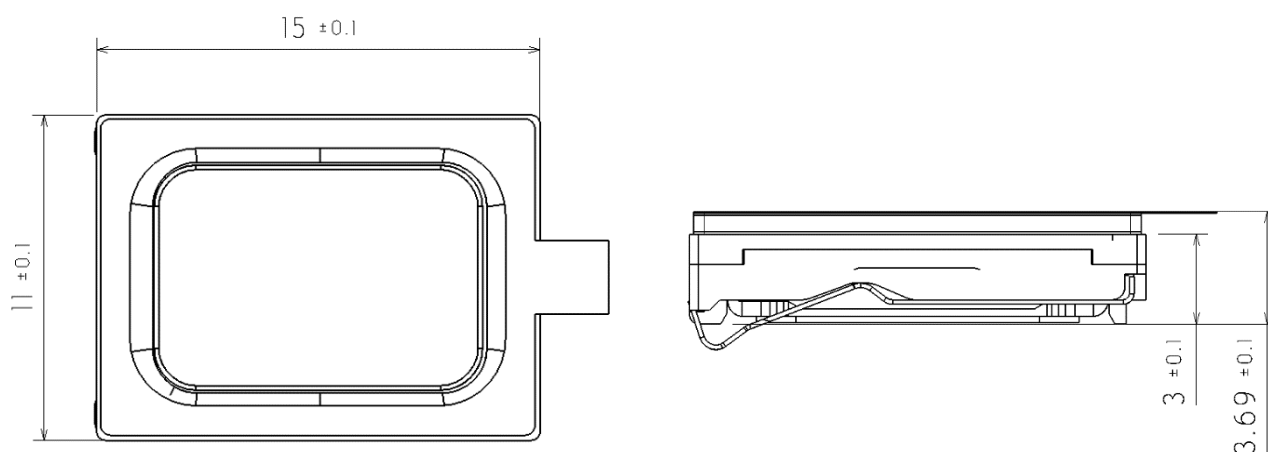
Revision

| Date | Version | Status | Changes | Approver |
|------------|---------|--------|------------------|----------|
| 2018/08/27 | V0.1 | Draft | First release | Lionel |
| 2019/08/09 | V0.2 | Draft | Change gasket PN | Lionel |
| | | | | |

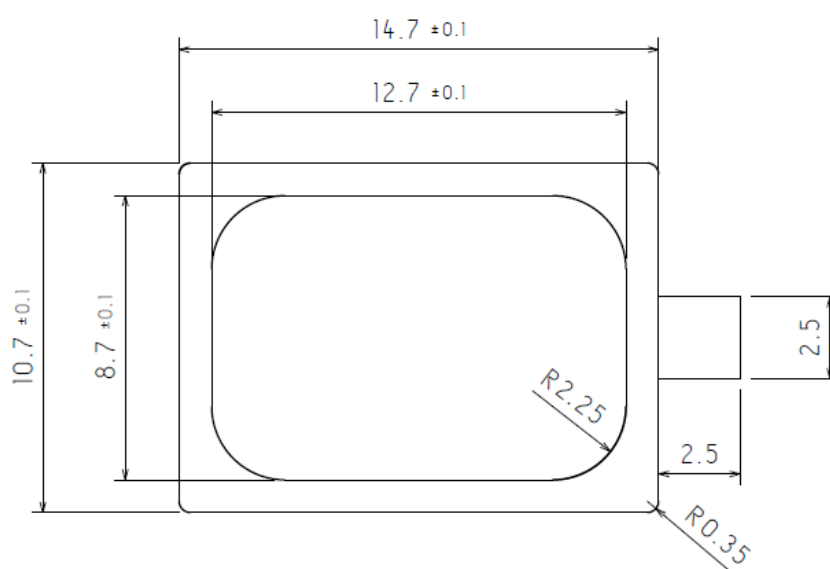
1. Mechanical Characteristics

1.1. Mechanical Drawing

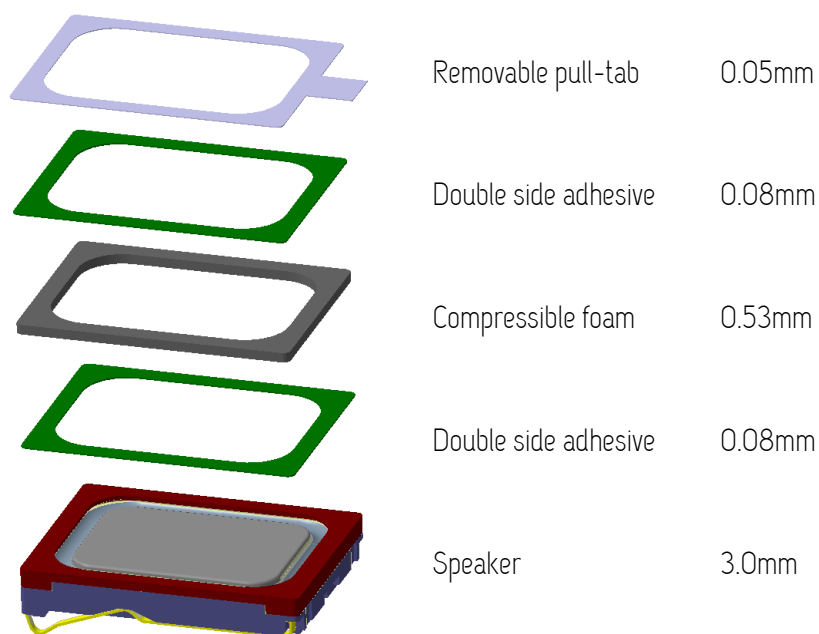
1.1.1. Assembly drawing:



1.1.2. Gasket drawing:



1.1.3. Assembly details:



1.2. Material List

| | |
|---------------------------|-----------------|
| Speaker see specification | CR1511L030UN8-2 |
| Gasket: See specification | GASKET11X15-17 |

2. Related document

CR1511L030UN8-2 dedicated datasheet