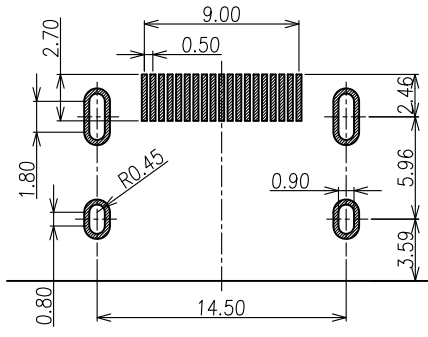
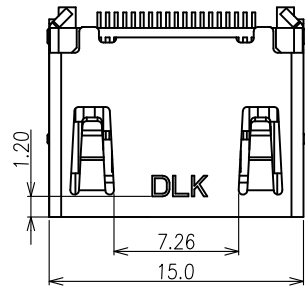
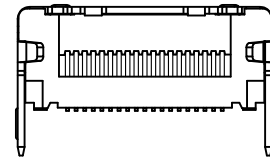
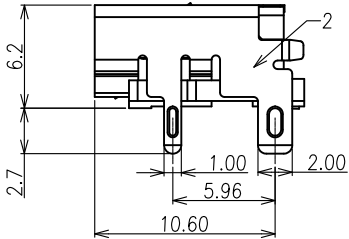
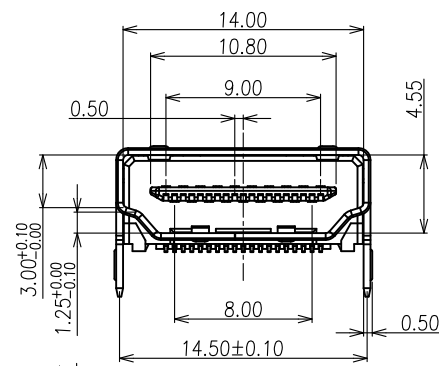
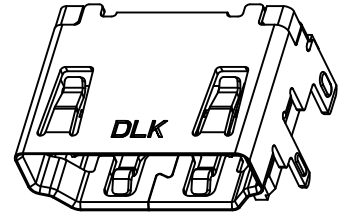


符合"DLK环境管理物质技术标准",符合HDMI协会规范要求

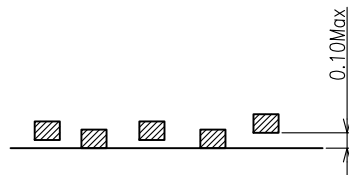
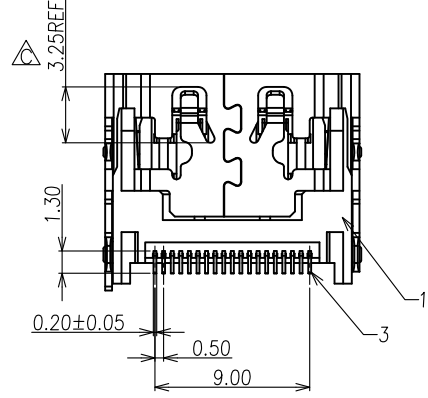
工程变更通知单 ECN(DCN) NO.	版本 REV	日期 DATE	说明 DESCRIPTION	改变 CHANGE	承认 APPRO.
KSECN16033	B	20160805	1.将DLK logo按图面位置进行修改 2.取消背胶	陈浩泽	王永辉
KSECN16085	C	20161231	增强拔出力将弹片力臂 由5.38mm改为3.25mm	陈浩泽	王永辉
KSECN18034	D	20180507	增加镀金1u规格	汪庆	王永辉



RECOMMENDED PCB LAYOUT  
TOLERANCE: ±0.05mm



- NOTE:
- MATERIAL:
    - Housing: LCP UL94V-0, color: Black
    - Contact: Copper alloy
    - Shell: Copper alloy
  - PLATING:
    - Contact: 15u" Au plated on contact Area, 50u" Min. Matte Tin plated on solder tail, 50u" Min. Nickel underplated
    - Shell: Nickel plated overall
  - MECHANICAL:
    - Mating force: 4.5kgf Max.
    - Unmating force: 1.0~4.0kgf.
    - Durability: 10000 cycles Min.
  - ELECTRICAL:
    - Current Rating: 0.5A
    - Voltage Rating: 40V
    - Dielectric strength: 500V AC FOR 1 minute
    - Insulation Resistance: 100MΩ Min.
    - Contact Resistance: 10mΩ Max
    - Operating Temperature: -55°C to +105°C
  - PACKING: Tape & Reel



COPLARNITY

德力康电子科技有限公司  
DLK DELIKANG ELECTRONICS TECHNOLOGY CO.,LTD

GENERAL TOLERANCE UNLESS OTHERWISE NOTED	
Angle	±5°
X.	±0.35
.X	±0.25
.XX	±0.15
.XXX	±0.10
A4	

C 名称 TITLE:		HDMI A/F R/A 6.2H 19PIN SMT CONN.	
档案名称 FILE NAME:		C-HDM41-00-02	料号 PART NO.: 54119B04121
DRAWING	陆桂棚	CHECKED	APPROVED 严成旺
UNIT:	mm	SCALE	1:1
		SHEET: 1 of 1	

NO.	ITEM	Q'TY	DESCRIPTION	FINISH
3	CONTACT	19	COPPER ALLOY	PLATED Au
2	SHELL	1	COPPER ALLOY	PLATED NI
1	HOUSING	1	LCP	UL94V-0,Black