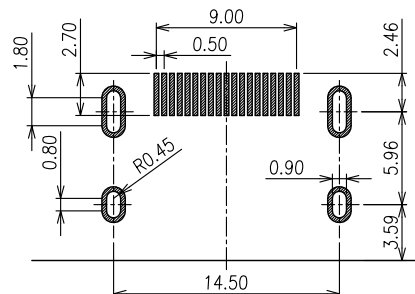
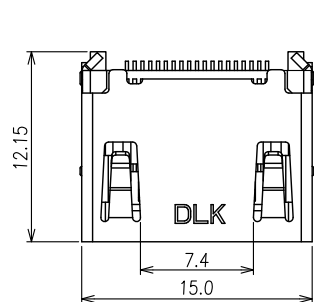
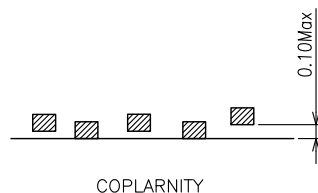
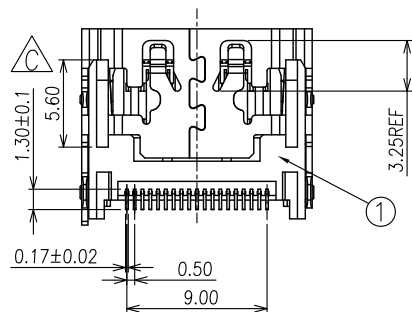
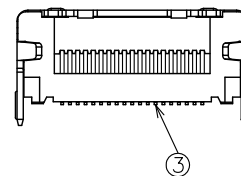
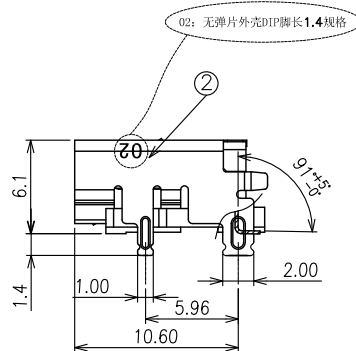
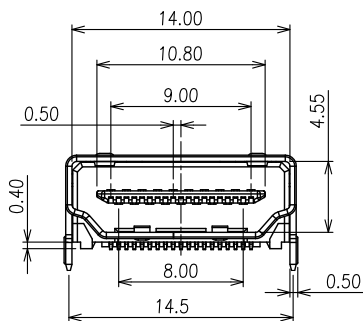


符合"DLK环境管理物质技术标准",符合HDMI协会规范要求

工程变更通知单 ECN(DCN) NO.	版本 REV	日期 DATE	说明 DESCRIPTION	改变 CHANGE	承认 APPRO.
KSECN18018	B	20180327	增加镀Au 5u" 规格 $\Delta$ *1	汪庆	王永辉
KSECN22005	C	20220325	修改进胶点位置及底部加胶 $\Delta$ *1	蒋召	吴豪
KSECN23010	D	20230323	依客户要求外壳脚增加葫芦形缺口	覃智森	段国强



RECOMMENDED PCB LAYOUT  
TOLERANCE:  $\pm 0.05\text{mm}$



NOTE:

- MATERIAL:
  - Housing: LCP UL94v-0, color: Black
  - Contact: Copper alloy
  - Shell: Copper alloy
- PLATING:
  - Contact: 5u" Au plated on contact Area, 50u" Min. Matte Tin plated on solder tail, 50u" Min. Nickel underplated
  - Shell: Nickel plated overall
- MECHANICAL:
  - Mating force: 4.5kgf Max.
  - Unmating force: 1.0~4.0kgf.
  - Durability: 10000 cycles Min.
- ELECTRICAL:
  - Current Rating: 0.5A
  - Voltage Rating: 40V
  - Dielectric strength: 500V AC FOR 1 minute
  - Insulation Resistance: 100M $\Omega$  Min.
  - Contact Resistance: 10m $\Omega$  Max
- Operating Temperature: -55 $^{\circ}$ c to +105 $^{\circ}$ c
- PACKING: Tape & Reel

德力康电子科技有限公司  
DLK DELIKANG ELECTRONICS TECHNOLOGY CO.,LTD

GENERAL TOLERANCE  
UNLESS OTHERWISE NOTED

Angle	$\pm 5^{\circ}$
X.	$\pm 0.35$
.X	$\pm 0.25$
.XX	$\pm 0.15$
.XXX	$\pm 0.10$

C 名称 TITLE:	HDMI A/F R/A 6.2H 19PIN SMT CONN.			
档案名称 FILE NAME:	C-HDM41-00-0A	料号 PART NO.:	54119B021A1	
DRAWING	汪庆	CHECKED	王永辉	APPROVED 严成旺
UNIT:	mm	SCALE	1:1	SHEET: 1 of 1

NO.	ITEM	Q'TY	DESCRIPTION	FINISH
3	CONTACT	19	COPPER ALLOY	PLATED Au
2	SHELL	1	COPPER ALLOY	PLATED NI
1	HOUSING	1	LCP	UL94V-0,Black