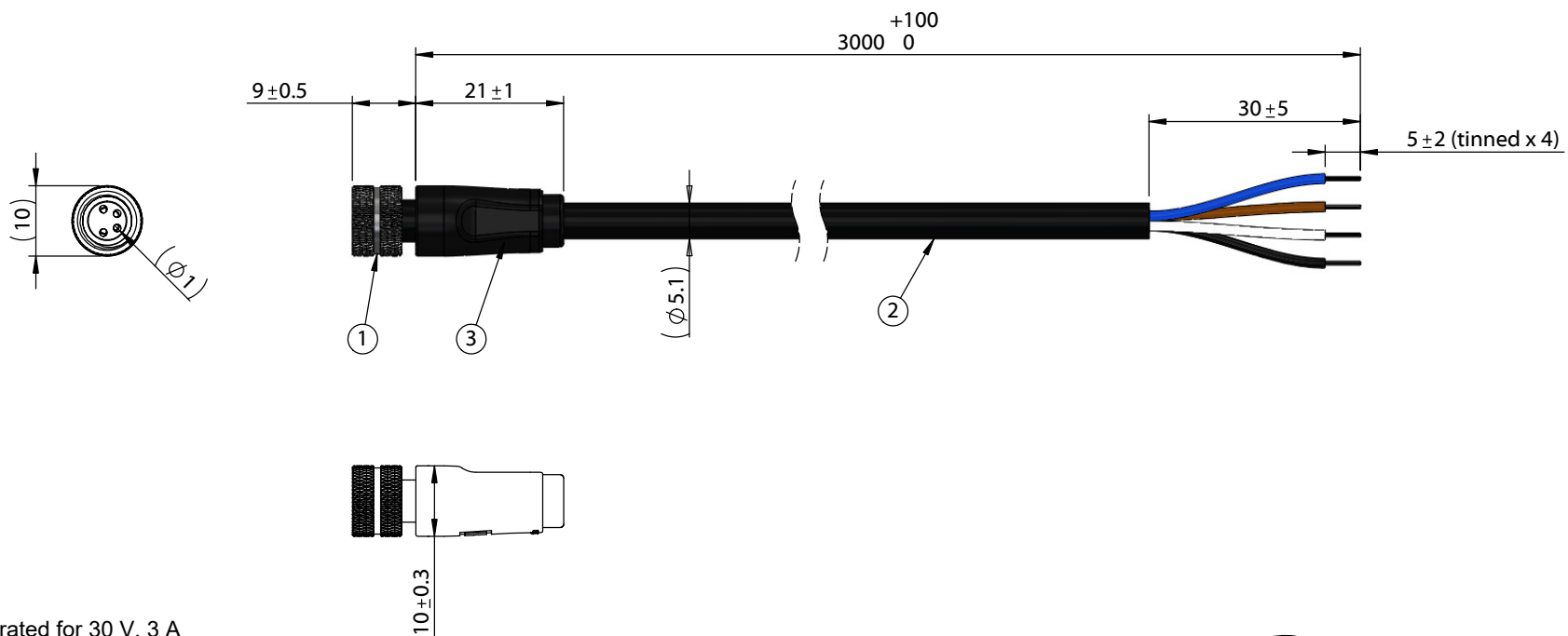


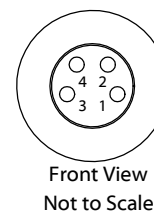
ITEM NO.	PART NUMBER	DESCRIPTION	QTY.	COMPONENT NOTES
1	50-00678	Connector, 4 pin M8 A-code socket, 8x15.3 mm, gold plated, molding style, solder cup, IP67	1	
2	30-02979	Wire, 4C TS, 24 AWG, UL20387, 300V, 105C, 60C oil, UV, 5.1 mm, VW-1, PVC, 80A, black	1	
3	24-00378	Overmold, M8 plug and jack, 180°	1	PVC, black



Notes:
 Cable rated for 30 V, 3 A
 Temperature: -40 ~ 105 °C
 Oil resistant up to 60 °C
 Water resistant up to 75 °C
 UV resistant

IP67 waterproof rating when mated with corresponding (IP67) connector

Functionally equivalent components may be substituted



Wiring Diagram	
50-00678	wire color
1	brown
2	white
3	blue
4	black

Revision:	Date:	Description:	Prepared:	Notes: RoHS compliant Function test: no open, no short circuit, no intermittent	<h1>TENSILITY</h1> <p>tel 1.541.323.3228 800 877.670.7118 fax 1.541.323.4202 web tensility.com</p>
A	11/14/2023	Initial release	Verified:		
			Dimensions are in millimeters. Tolerances: X: ± 0.5 mm X.X: ± 0.3 mm X.XX: ± 0.05 mm	Description: Cable, 3000mm, 1.0 mm 4C 50-00678 M8 socket to 5mm tinned, 24 AWG, 30-02979 wire	Size: A
					Part number: 10-05920
					Scale: 1:1
					Sheet 1 of 1

5

4

3

2

1