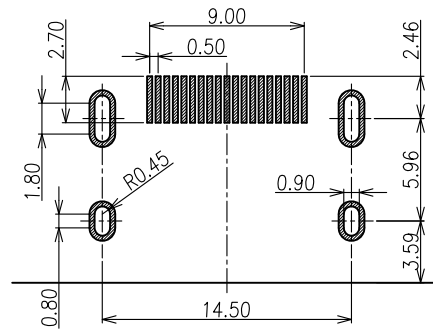
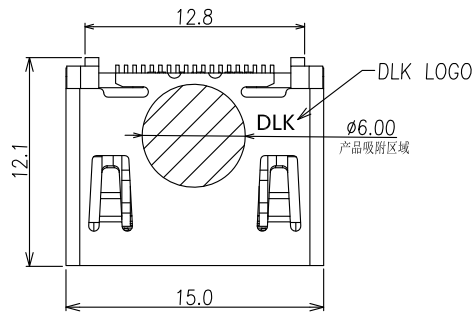
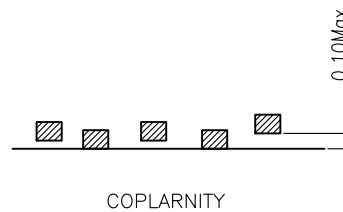
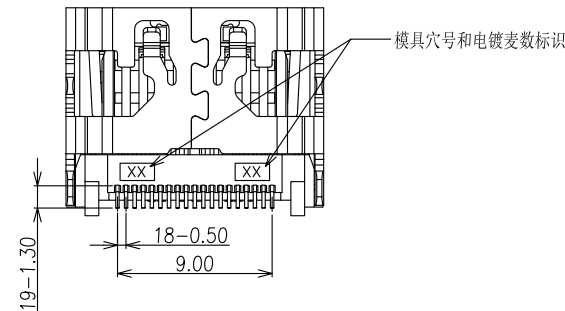
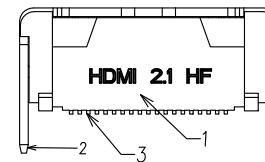
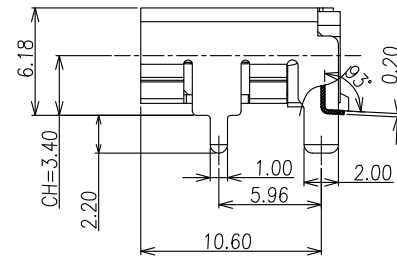
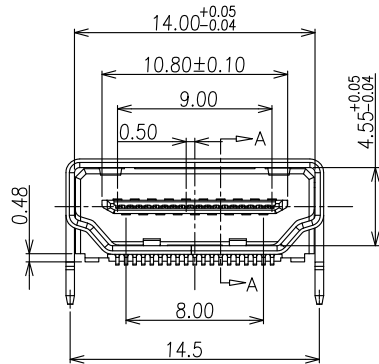


符合"DLK环境管理物质技术标准",符合HDMI协会规范要求

工程变更通知单 ECN(DCN) NO.	版本 REV	日期 DATE	说明 DESCRIPTION	改变 CHANGE	承认 APPRO.
KSECN16085	A	20161231	NEW RELEASE	—	—



RECOMMENDED PCB LAYOUT  
TOLERANCE: ±0.05mm



NOTE:

- MATERIAL:
  - Housing: LCP UL94v-0, color: Black
  - Contact: Copper alloy
  - Shell: Stainless steel
- PLATING:
  - Contact: 15u" Au plated on contact Area, 50u" Min. Matte Tin plated on solder tail, 50u" Min. Nickel underplated
  - Shell: Nickel plated overall
- MECHANICAL:
  - Mating force: 4.5kgf Max.
  - Unmating force: 1.0~4.0kgf.
  - Durability: 10000 cycles Min.
- ELECTRICAL:
  - Current Rating: 0.5A
  - Voltage Rating: 40V
  - Dielectric strength: 500V AC FOR 1 minute
  - Insulation Resistance: 100MΩ Min.
  - Contact Resistance: 10mΩ Max
- Operating Temperature: -55°C to +105°C
- PACKING: Tape & Reel

德力康电子科技有限公司  
DLK DELIKANG ELECTRONICS TECHNOLOGY CO.,LTD

GENERAL TOLERANCE  
UNLESS OTHERWISE NOTED

Angle	±5°
X.	±0.35
.X	±0.25
.XX	±0.15
.XXX	±0.10

C 名称 TITLE:	HDMI A/F R/A 6.18H 19PIN SMT CONN.			
档案名称 FILE NAME:	C-HDM41-0R-01	料号 PART NO.:	54119B04111	
DRAWING	蒋召	CHECKED	覃智森	APPROVED 段国强
UNIT:	mm	SCALE	1:1	SHEET: 1 of 1

3	CONTACT	19	COPPER ALLOY	PLATED Au
2	SHELL	1	STAINLESS STEEL	PLATED Ni
1	HOUSING	1	LCP	UL94V-0, Black
NO.	ITEM	Q'TY	DESCRIPTION	FINISH