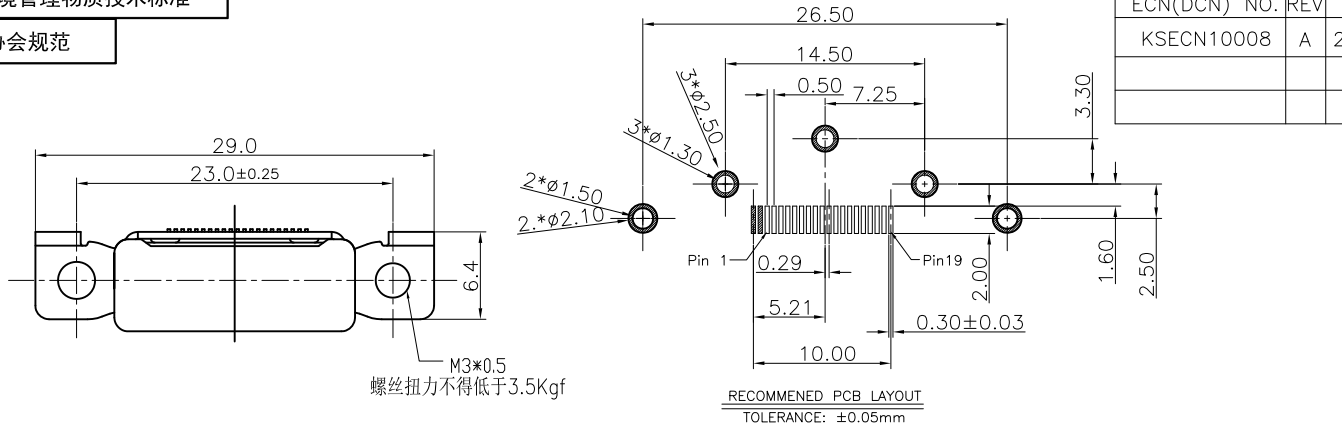


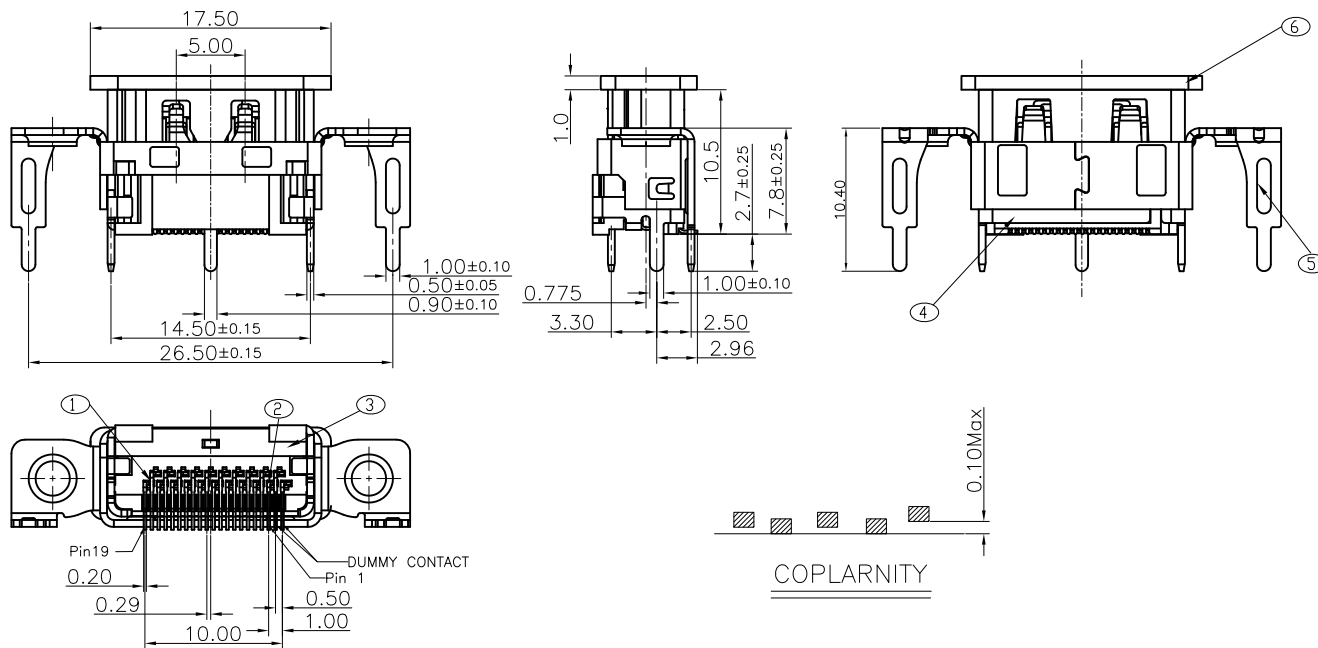
符合DLK环境管理物质技术标准

符合HDMI协会规范

工程变更通知单 ECN(DCN) NO.	版本 REV	日期 DATE	说明 DESCRIPTION	改变 CHANGE	承认 APPRO.
KSECN10008	A	20101008	NEW RELEASE	—	—



- NOTE:
- MATERIAL:
 - Housing: LCP UL94v-0, color: Black
 - Contact: Copper alloy
 - Shell: Copper alloy, Round Shell:Ferro alloy
 - PLATING:
 - Contact: 15u"Au plated on contact Area, 50u" Min. Matte Tin plated on solder tail, 50u" Min.Nickel underplated
 - Shell: Nickel plated overall
 - MECHANICAL:
 - Mating force:4.5kgf Max.
 - Unmating force:1.0~4.0kgf.
 - Durability:10000 cycles Min.
 - ELECTRICAL:
 - Current Rating:0.5A
 - Voltage Rating:40V
 - Dielectric strength:500V AC FOR 1 minute
 - Insulation Resistance:100MΩ Min.
 - Contact Resistance:10mΩ Max
 - Operating Temperature:-55°c to +105°c
 - PACKING: Tray



6	STOPPLE	1	THERMOPLASTIC	UL94V-0, BLACK
5	ROUND SHELL	1	FERRO ALLOY	PLATED NI
4	SHELL	1	COPPER ALLOY	PLATED NI
3	HOUSING	1	THERMOPLASTIC	UL94V-0, BLACK
2	SHORT CONTACT	11	COPPER ALLOY	PLATED Au
1	LONG CONTACT	10	COPPER ALLOY	PLATED Au
NO.	ITEM	Q'TY	DESCRIPTION	FINISH

德力康电子科技有限公司
DELIKANG ELECTRONICS TECHNOLOGY CO.,LTD

DLK

C 名称 TITLE: HDMI 21PIN REC. CONN.

档案名称 FILE NAME: C-HDM2C-00-03 料号 PART NO: 52C21B02131

DRAWING Lijian CHECKED APPROVED CW.Y

UNIT: mm SCALE 1:1 SHEET: 1 of 1

GENERAL TOLERANCE UNLESS OTHERWISE NOTED

Angle ±5°

X. ±0.35

.X ±0.25

.XX ±0.15

.XXX ±0.10

A4