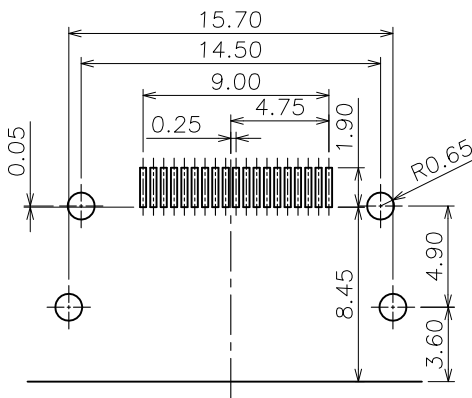
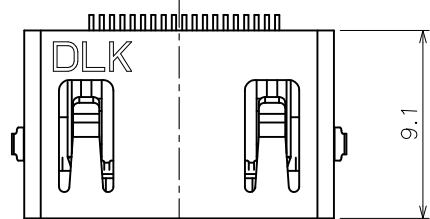
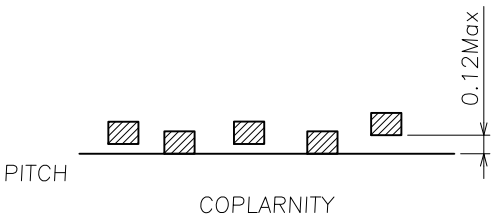
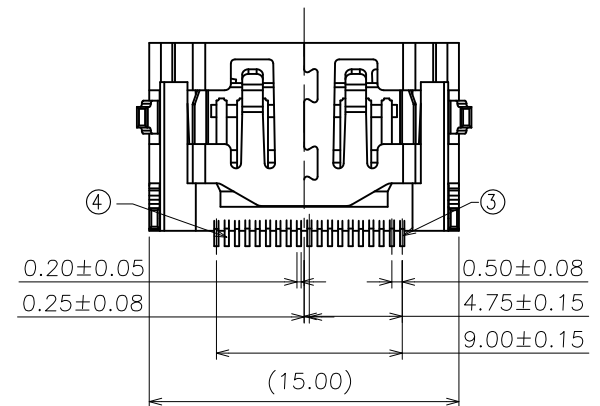
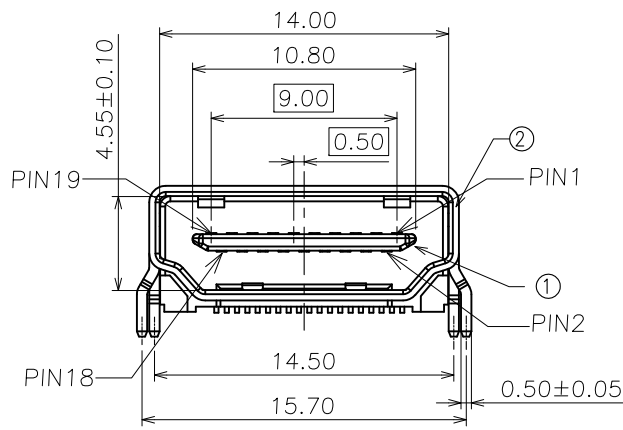
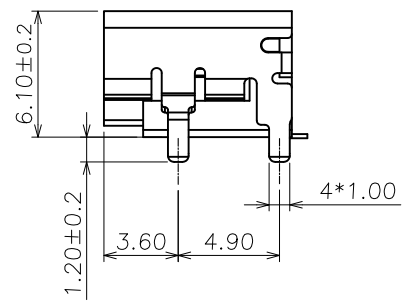


符合"DLK环境管理物质技术标准",符合HDMI协会规范要求

工程变更通知单 ECN(DCN) NO.	版本 REV	日期 DATE	说明 DESCRIPTION	改变 CHANGE	承认 APPRO.
KSECN16003	A	20160108	NEW RELEASE	—	—
KSECN16008	B	20160329	产品结构由组装式改为Molding式	陈浩泽	王永辉



RECOMMENED PCB LAYOUT  
TOLERANCE: ±0.05mm



NOTE:  
 1. MATERIAL:  
 1.1 Housing: LCP UL94v-0, color: Black  
 1.2 Contact: Copper alloy  
 1.3 Shell: Copper alloy  
 2. PLATING:  
 2.1 Contact: Au plated on contact Area, 50u" Min.Nickel underplated  
 2.2 Shell: Nickel plated overall  
 3. MECHANICAL:  
 3.1 Mating force:4.5kgf Max.  
 3.2 Unmating force:1.0~4.0kgf.  
 3.3 Durability:10000 cycles Min.  
 4 ELECTRICAL:  
 4.1 Current Rating:0.5A  
 4.2 Voltage Rating:40V  
 4.3 Dielectric strength:500V AC FOR 1 minute  
 4.4 Insulation Resistance:100MΩ Min.  
 4.5 Contact Resistance:10mΩ Max  
 5. Operating Temperature:-55°C to +105°C  
 6. PACKING: Tape & Reel

NO.	ITEM	Q'TY	DESCRIPTION	FINISH
4	SHORT CONTACT	9	COPPER ALLOY	PLATED Au
3	LONG CONTACT	10	COPPER ALLOY	PLATED Au
2	SHELL	1	COPPER ALLOY	PLATED NI
1	HOUSING	1	LCP	UL94V-0,Black

GENERAL TOLERANCE UNLESS OTHERWISE NOTED	
Angle	±5°
X.	±0.35
.X	±0.25
.XX	±0.15
.XXX	±0.10
A4	

**DLK** 德力康电子科技有限公司  
 DELIKANG ELECTRONICS TECHNOLOGY CO.,LTD

C 名称 TITLE: HDMI 19PIN REC. CONN.

档案名称 FILE NAME: C-HDM2K-00-0L 料号 PART NO: 52K19B111L1

DRAWING 陈浩泽 CHECKED APPROVED 严成旺

UNIT: mm SCALE 1:1 SHEET: 1 of 1

A  
B  
C  
D  
E  
F  
G  
H  
I  
J

A  
B  
C  
D  
E  
F  
G  
H  
I  
J

1 2 3 4 5 6 7 8 9 10 11