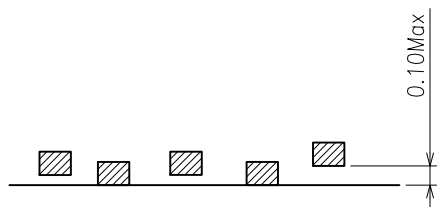
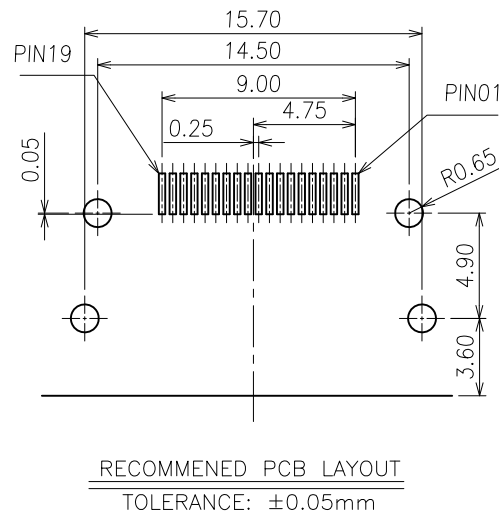
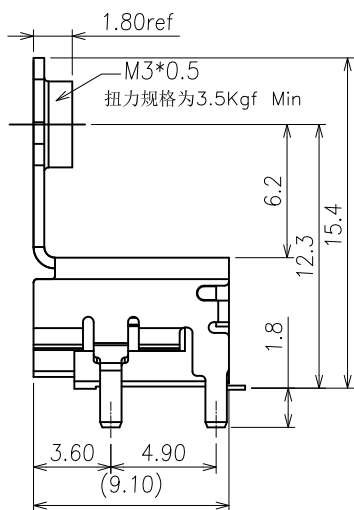
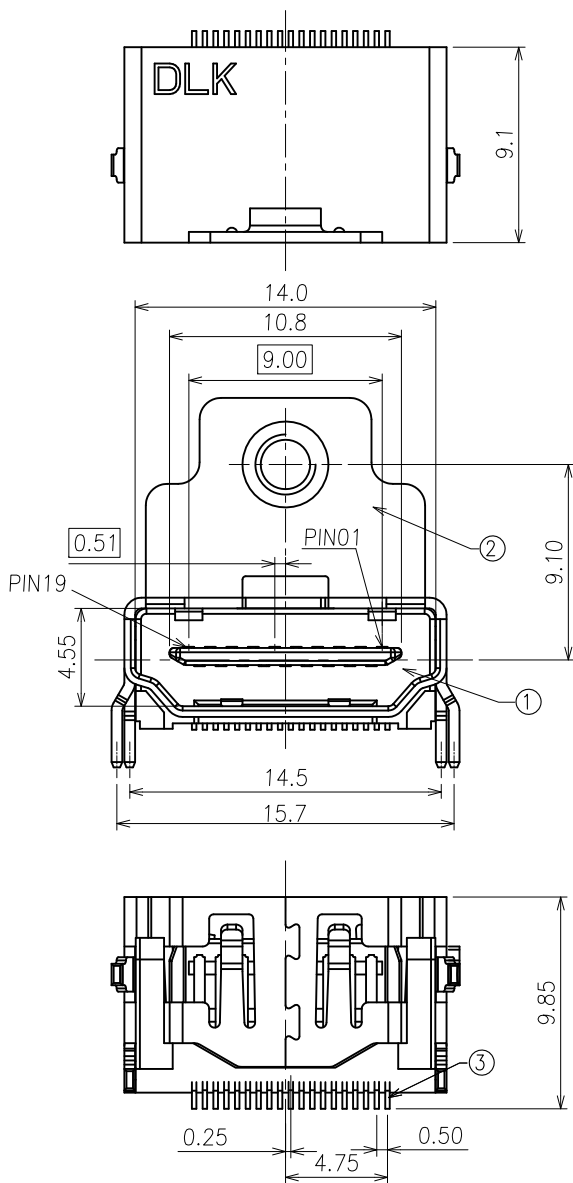


符合"DLK环境管理物质技术标准",符合HDMI协会规范要求

工程变更通知单 ECN(DCN) NO.	版本 REV	日期 DATE	说明 DESCRIPTION	改变 CHANGE	承认 APPRO.
KSECN11086	B	05/26 11'	变更图框	Lijian	CW.Yan
KSECN12005	C	2/20 12'	加胶限位	Guozhen	CW.Yan
KSECN12042	D	6/27 12'	头部封胶	Guozhen	CW.Yan
KSECN16008	E	20160329	产品结构由组装式改为Molding式	陈浩泽	王永辉

A
B
C
D
E
F
G
H
I
J

A
B
C
D
E
F
G
H
I
J



端子平整度要求

NOTE:

- MATERIAL:
 - Housing: LCP UL94v-0, color: Black
 - Contact: Copper alloy
 - Shell: Copper alloy
- PLATING:
 - Contact: 15u" Au plated on contact Area, 50u" Min. Matte Tin plated on solder tail, 50u" Min. Nickel underplated
 - Shell: Nickel plated overall
- MECHANICAL:
 - Mating force: 4.5kgf Max.
 - Unmating force: 1.0~4.0kgf.
 - Durability: 10000 cycles Min.
- ELECTRICAL:
 - Current Rating: 0.5A
 - Voltage Rating: 40V
 - Dielectric strength: 500V AC FOR 1 minute
 - Insulation Resistance: 100MΩ Min.
 - Contact Resistance: 10mΩ Max
- Operating Temperature: -55°C to +105°C
- PACKING: Tape & Reel

NO.	ITEM	Q'TY	DESCRIPTION	FINISH
3	CONTACT	19	COPPER ALLOY	PLATED Au
2	SHELL	1	COPPER ALLOY	PLATED Ni
1	HOUSING	1	THERMOPLASTIC	UL94V-0, Black

GENERAL TOLERANCE
UNLESS OTHERWISE NOTED

Angle	±5°
X.	±0.35
.X	±0.25
.XX	±0.15
.XXX	±0.10



德力康电子科技有限公司

DLK

DELIKANG ELECTRONICS TECHNOLOGY CO.,LTD

C	名称 TITLE:	HDMI 19PIN REC. CONN.			
	档案名称 FILE NAME:	C-HDM2H-00-00	料号 PART NO:	52H19B04101	
	DRAWING	Lijian	CHECKED	APPROVED	CW.Yan
	UNIT:	mm	SCALE	1:1	SHEET: 1 of 1

1 2 3 4 5 6 7 8 9 10 11