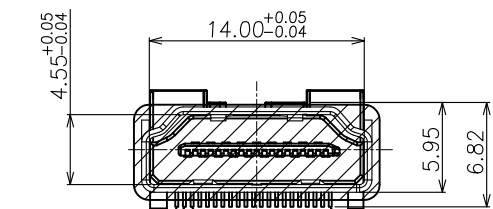
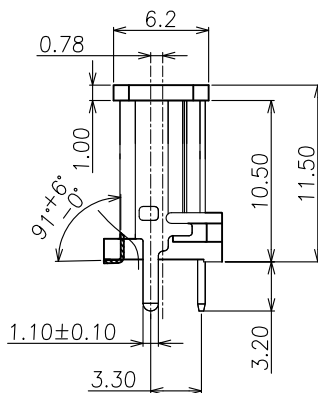
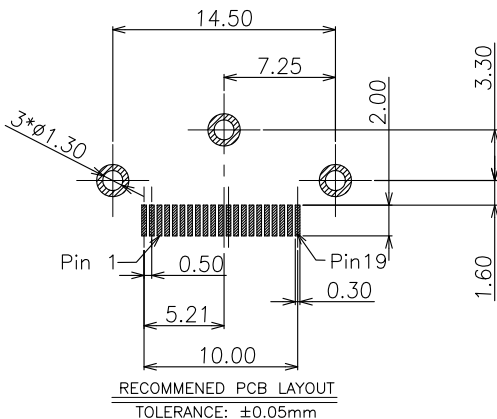
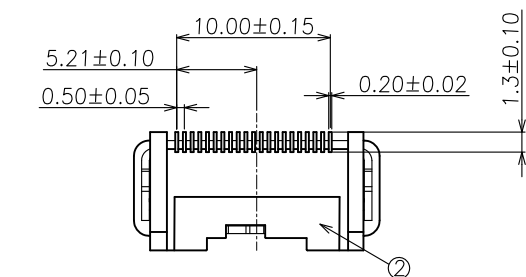
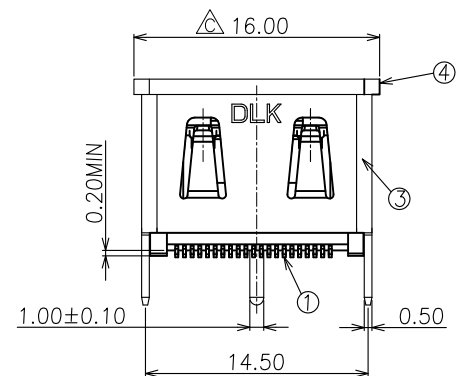


符合DLK环境管理物质技术标准 符合HDMI协会规范



DUMMY CONTACT NO.1 NO.19



工程变更通知单 ECN(DCN) NO.	版本 REV	日期 DATE	说明 DESCRIPTION	改变 CHANGE	承认 APPRO.
KSECN14018	A	20141215	NEW RELEASE	—	—
KSECN18018	B	20180327	增加镀Au 5u" 规格 $\triangle B$ *1	汪庆	王永辉
KSECN20033	C	20200730	后塞依实物将17.50mm尺寸改为16.0mm $\triangle A$ *1	王永辉	严成旺

NOTE:

1. MATERIAL:
  - 1.1 Housing: LCP UL94v-0, color: Black
  - 1.2 Contact: Copper alloy
  - 1.3 Shell: Copper alloy
2. PLATING:
  - 2.1 Contact: 15u" Au plated on contact Area, 50u" Min. Matte Tin plated on solder tail, 50u" Min. Nickel underplated
  - 2.2 Shell: Nickel plated overall
3. MECHANICAL:
  - 3.1 Mating force: 4.5kgf Max.
  - 3.2 Unmating force: 1.0~4.0kgf.
  - 3.3 Durability: 10000 cycles Min.
4. ELECTRICAL:
  - 4.1 Current Rating: 0.5A
  - 4.2 Voltage Rating: 40V
  - 4.3 Dielectric strength: 500V AC FOR 1 minute
  - 4.4 Insulation Resistance: 100M $\Omega$  Min.
  - 4.5 Contact Resistance: 10m $\Omega$  Max
5. Operating Temperature: -55 $^{\circ}$ c to +105 $^{\circ}$ c
6. PACKING: Tray

4	COVER	1	LCP	UL94V-0, BLACK
3	SHELL	1	COPPER ALLOY	PLATED NI
2	HOUSING	1	LCP	UL94V-0, BLACK
1	CONTACT	21	COPPER ALLOY	PLATED Au AND MATTE TIN FINISH
NO.	ITEM	Q'TY	DESCRIPTION	FINISH

GENERAL TOLERANCE UNLESS OTHERWISE NOTED

Angle	±5°
X.	±0.35
.X	±0.25
.XX	±0.15
.XXX	±0.10
A4	



德力康电子科技有限公司

DLK DELIKANG ELECTRONICS TECHNOLOGY CO.,LTD

C	名称 TITLE:	HDMI A/F V/T 10.5H 21PIN CONN.			
	档案名称 FILE NAME:	C-HDM4C-00-00	料号 PART NO:	54C21B04101	
	DRAWING	GP. LU	CHECKED	APPROVED	CW.YAN
	UNIT:	mm	SCALE	1:1	SHEET: 1 of 1