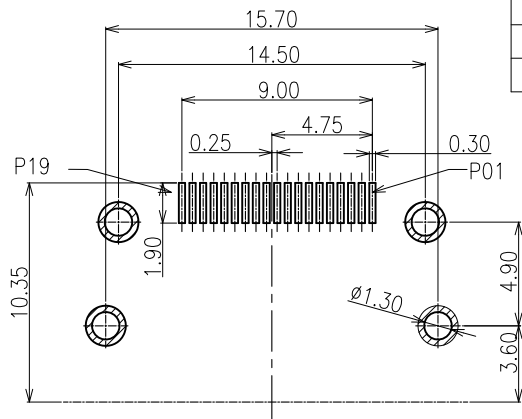
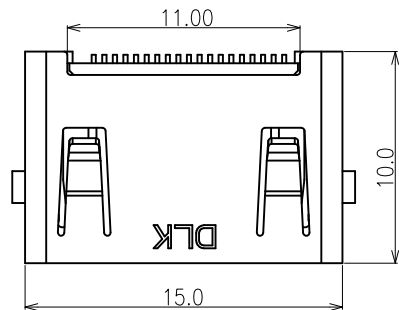
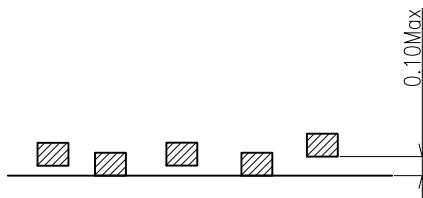
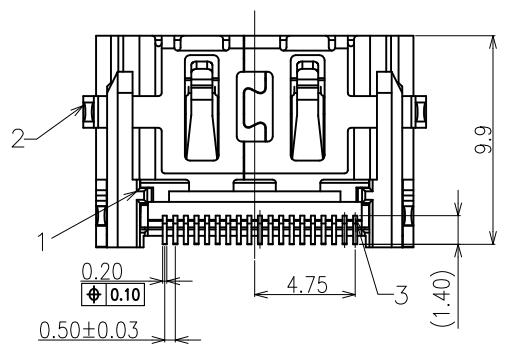
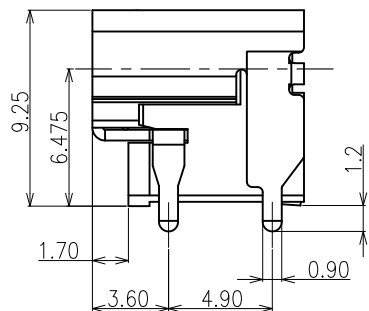
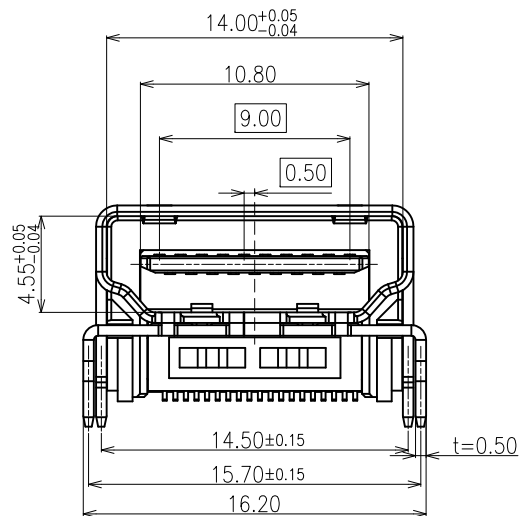


符合DLK环境管理物质技术标准,符合HDMI协会标准

工程变更通知单 ECN(DCN) NO.	版本 REV	日期 DATE	说明 DESCRIPTION	改变 CHANGE	承认 APPRO.
KSECN11024	A	20110801	NEW RELEASE	—	—
KSECN13064	B	20131220	原插针结构改为端子埋入成型结构	陆桂棚	严成旺



RECOMMENED PCB LAYOUT  
TOLERANCE: ±0.05mm



COPLARNITY

NOTE:

- MATERIAL:
  - Housing: LCP UL94v-0, color: Black
  - Contact: Copper alloy
  - Shell: Copper alloy
- PLATING:
  - Contact: Au plated on contact Area, 50u" Min.Nickel underplated
  - Shell: Nickel plated overall
- MECHANICAL:
  - Mating force:4.5kgf Max.
  - Unmating force:1.0~4.0kgf.
  - Durability:10000 cycles Min.
- ELECTRICAL:
  - Current Rating:0.5A
  - Voltage Rating:40V
  - Dielectric strength:500V AC FOR 1 minute
  - Insulation Resistance:100MΩ Min.
  - Contact Resistance:10mΩ Max
  - Operating Temperature:-55\*c to +105\*c
- PACKING: Tape & Reel

 德力康电子科技有限公司  
DELIKANG ELECTRONICS TECHNOLOGY CO.,LTD

GENERAL TOLERANCE UNLESS OTHERWISE NOTED	
Angle	±5°
X.	±0.35
.X	±0.25
.XX	±0.15
.XXX	±0.10

C 名称 TITLE:		HDMI A/F R/A 9.25H			
档案名称 FILE NAME:		C-HDM2F-00-00	料号 PART NO.:	52F19B11101	
DRAWING		LGP	CHECKED	APPROVED	CW.YAN
UNIT:		mm	SCALE	1:1	SHEET: 1 of 1

NO.	ITEM	Q'TY	DESCRIPTION	FINISH
3	CONTACT	19	COPPER ALLOY	PLATED Au
2	SHELL	1	COPPER ALLOY	PLATED NI
1	HOUSING	1	LCP	UL94V-0,Black