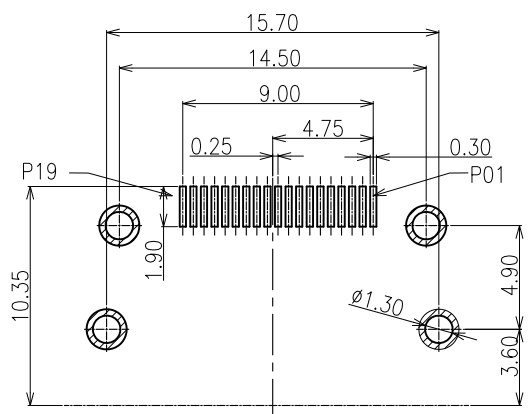
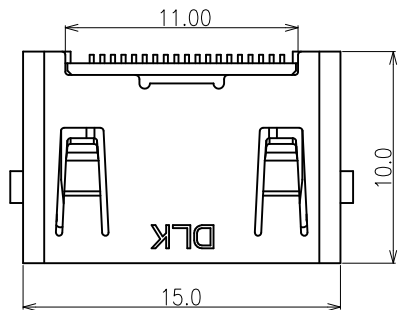
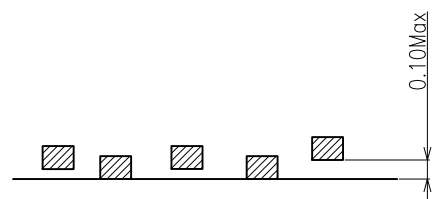
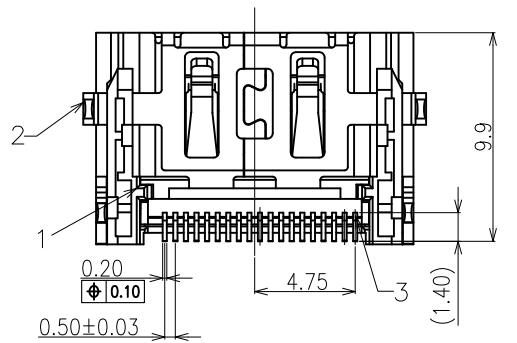
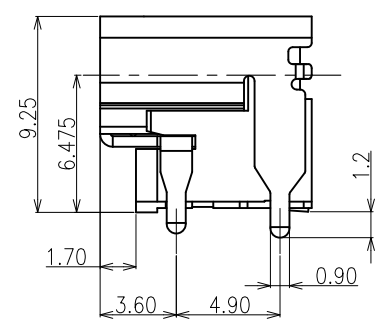
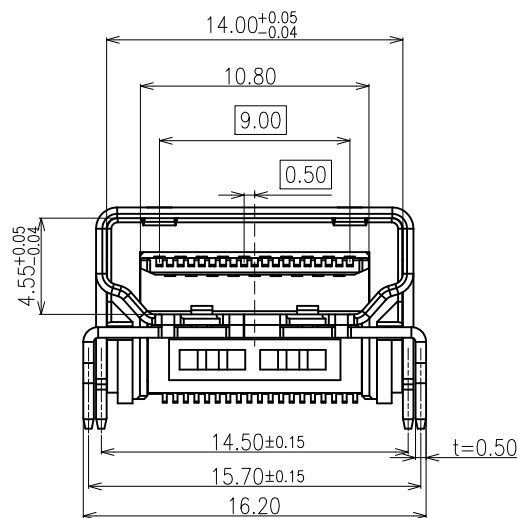


符合DLK环境管理物质技术标准,符合HDMI协会标准

工程变更通知单 ECN(DCN) NO.	版本 REV	日期 DATE	说明 DESCRIPTION	改变 CHANGE	承认 APPRO.
KSECN17049	A	20170816	NEW RELEASE	—	—



RECOMMENED PCB LAYOUT  
TOLERANCE: ±0.05mm



COPLARNITY

NOTE:  
 1. MATERIAL:  
 1.1 Housing: LCP UL94v-0, color: Black  
 1.2 Contact: Copper alloy  
 1.3 Shell: Copper alloy  
 2. PLATING:  
 2.1 Contact: Au plated on contact Area, 50u" Min. Nickel underplated  
 2.2 Shell: Nickel plated overall  
 3. MECHANICAL:  
 3.1 Mating force:4.5kgf Max.  
 3.2 Unmating force:1.0~4.0kgf.  
 3.3 Durability:10000 cycles Min.  
 4. ELECTRICAL:  
 4.1 Current Rating:0.5A  
 4.2 Voltage Rating:40V  
 4.3 Dielectric strength:500V AC FOR 1 minute  
 4.4 Insulation Resistance:100MΩ Min.  
 4.5 Contact Resistance:10mΩ Max  
 5. Operating Temperature:-55°c to +105°c  
 6. PACKING: Tape & Reel

3	CONTACT	19	COPPER ALLOY	PLATED Au
2	SHELL	1	COPPER ALLOY	PLATED NI
1	HOUSING	1	LCP	UL94V-0,Black
NO.	ITEM	Q'TY	DESCRIPTION	FINISH

GENERAL TOLERANCE UNLESS OTHERWISE NOTED	
Angle	±5°
X.	±0.35
.X	±0.25
.XX	±0.15
.XXX	±0.10

**德力康电子科技有限公司**  
**DELIKANG ELECTRONICS TECHNOLOGY CO.,LTD**

名称: HDMI A/F R/A 9.25H  
 档案名称: C-HDM2F-00-05  
 料号: 52F19B11151  
 料号: 52F19B11151

DRAWING: 汪庆  
 CHECKED: 王永辉  
 APPROVED: Andy

UNIT: mm  
 SCALE: 1:1  
 SHEET: 1 of 1