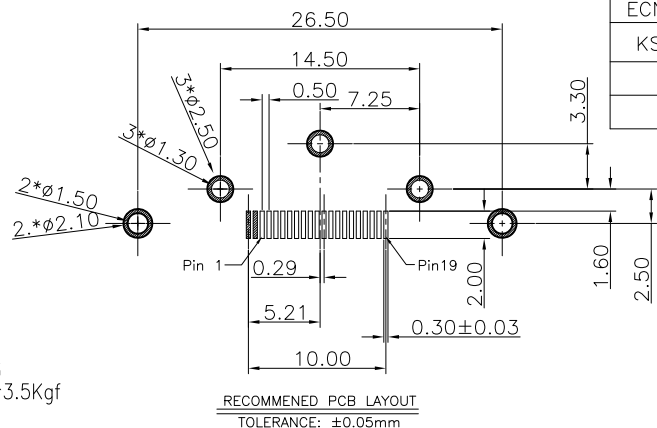
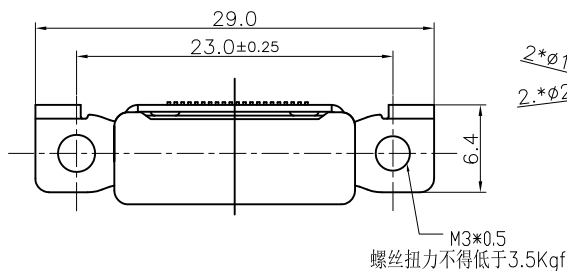


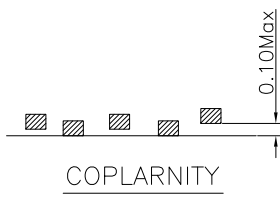
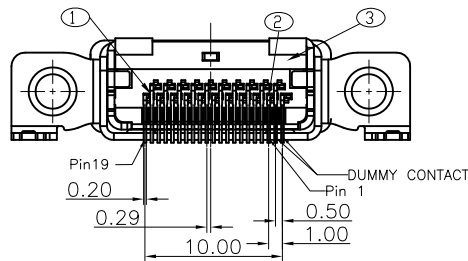
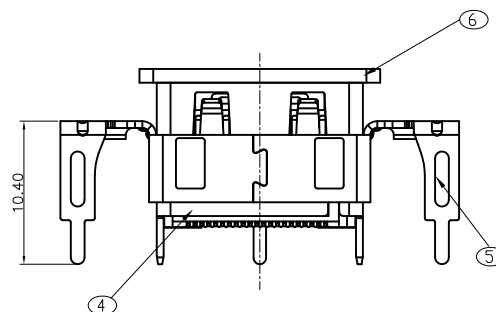
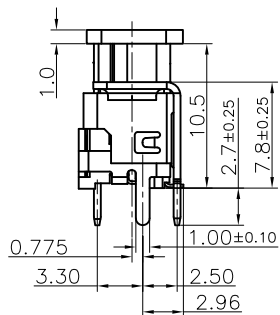
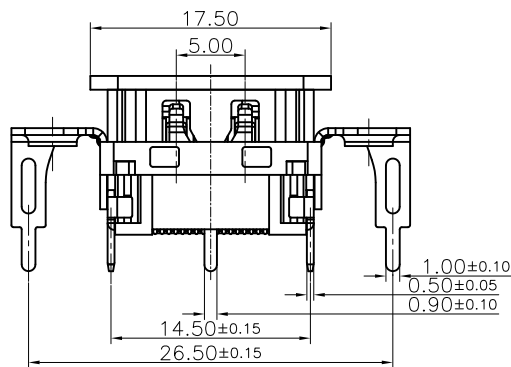
符合DLK环境管理物质技术标准

符合HDMI协会规范

工程变更通知单 ECN(DCN) NO.	版本 REV	日期 DATE	说明 DESCRIPTION	改变 CHANGE	承认 APPRO.
KSECN10008	A	20101008	NEW RELEASE	—	—



- NOTE:
- MATERIAL:
    - Housing: LCP UL94v-0, color: Black
    - Contact: Copper alloy
    - Shell: Copper alloy, Round Shell:Ferro alloy
  - PLATING:
    - Contact: 5u" Au plated on contact Area, 50u" Min. Matte Tin plated on solder tail, 50u" Min. Nickel underplated
    - Shell: Nickel plated overall
  - MECHANICAL:
    - Mating force:4.5kgf Max.
    - Unmating force:1.0~4.0kgf.
    - Durability:10000 cycles Min.
  - ELECTRICAL:
    - Current Rating:0.5A
    - Voltage Rating:40V
    - Dielectric strength:500V AC FOR 1 minute
    - Insulation Resistance:100MΩ Min.
    - Contact Resistance:10mΩ Max
    - Operating Temperature:-55°c to +105°c
  - PACKING: Tray



6	STOPPLE	1	THERMOPLASTIC	UL94V-0, BLACK
5	ROUND SHELL	1	FERRO ALLOY	PLATED NI
4	SHELL	1	COPPER ALLOY	PLATED NI
3	HOUSING	1	THERMOPLASTIC	UL94V-0, BLACK
2	SHORT CONTACT	11	COPPER ALLOY	PLATED Au
1	LONG CONTACT	10	COPPER ALLOY	PLATED Au
NO.	ITEM	Q'TY	DESCRIPTION	FINISH

GENERAL TOLERANCE  
UNLESS OTHERWISE NOTED

Angle	±5°
X.	±0.35
.X	±0.25
.XX	±0.15
.XXX	±0.10
A4	

德力康电子科技有限公司  
DELIKANG ELECTRONICS TECHNOLOGY CO.,LTD

C 名称 TITLE:	HDMI 21PIN REC. CONN.			
档案名称 FILE NAME:	C-HDM2C-00-03	料号 PART NO.:	52C21B02131	
DRAWING	Lijian	CHECKED	APPROVED	CW.Y
UNIT:	mm	SCALE	1:1	SHEET: 1 of 1