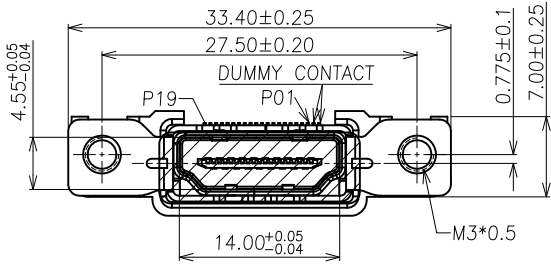
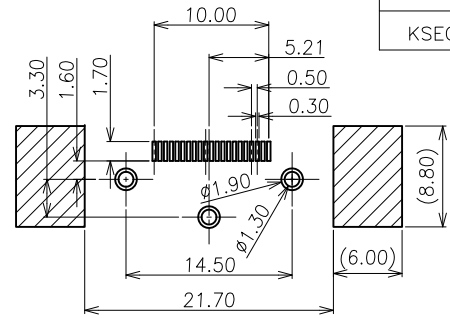
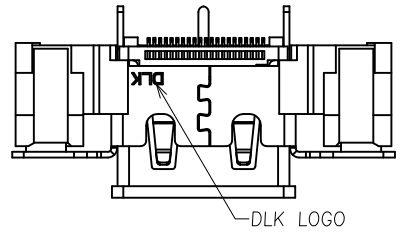
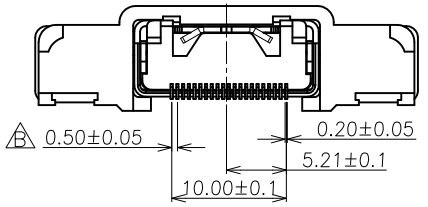
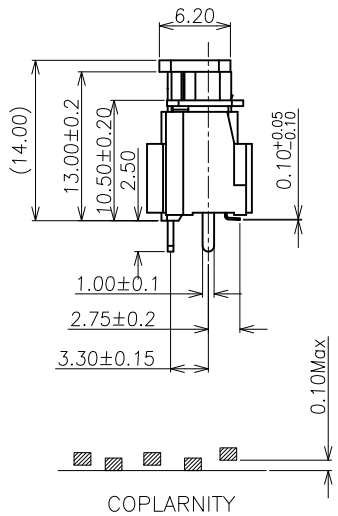
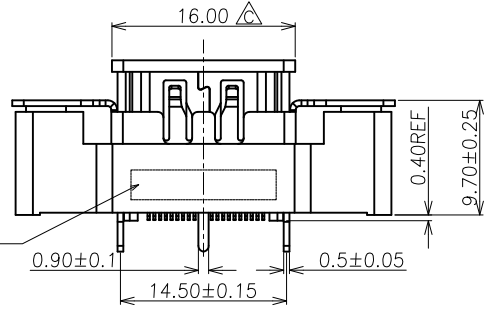


符合"DLK环境管理物质技术标准",符合HDMI协会规范要求

工程变更通知单 ECN(DCN) NO.	版本 REV	日期 DATE	说明 DESCRIPTION	改变 CHANGE	承认 APPRO.
KSECN15059	A	20151229	NEW RELEASE	—	—
KSECN20027	B	20200701	依客户要求PIN脚间距由0.50±0.25mm 改为0.50±0.05mm $\triangle B$ *1	王永辉	严成旺
KSECN20033	C	20200730	后塞依实物将17.50mm尺寸改为16.0mm $\triangle C$ *1	王永辉	严成旺



RECOMMENDED PCB LAYOUT  
TOLERANCE: ±0.05mm



NOTE:

- MATERIAL.
  - Housing: LCP UL94v-0, color: Black
  - Contact: Copper alloy
  - Shell: Copper alloy
  - Round shell: Ferro allo
- PLATING:
  - Contact: 15u" Au plated on contact Area, 50u" Min. Matte Tin plated on solder tail, 50u" Min. Nickel underplated
  - Shell: Nickel plated overall
- MECHANICAL:
  - Mating force: 4.5kgf Max.
  - Unmating force: 1.0~4.0kgf.
  - Durability: 10000 cycles Min.
- ELECTRICAL:
  - Current Rating: 0.5A
  - Voltage Rating: 40V
  - Dielectric strength: 500V AC FOR 1 minute
  - Insulation Resistance: 100MΩ Min.
  - Contact Resistance: 10mΩ Max
- Operating Temperature: -55°C to +105°C
- PACKING: Tape & Reel

NO.	ITEM	Q'TY	DESCRIPTION	FINISH
6	BRACKET	1	LCP	UL94V-0, BLACK
5	STOPPLE	1	LCP	UL94V-0, BLACK
4	ROUND SHELL	1	FERRO ALLOY	PLATED NI
3	SHELL	1	COPPER ALLOY	PLATED NI
2	HOUSING	1	LCP	UL94V-0, BLACK
1	LONG CONTACT	21	COPPER ALLOY	PLATED Au

GENERAL TOLERANCE UNLESS OTHERWISE NOTED	
Angle	±5°
X.	±0.35
.X	±0.25
.XX	±0.15
.XXX	±0.10

**德力康电子科技有限公司**  
DELIKANG ELECTRONICS TECHNOLOGY CO.,LTD

<b>C</b> 名称 TITLE:		HDMI 21PIN REC. CONN.	
档案名称 FILE NAME:		C-HDM4P-00-03	料号 PART NO:
DRAWING		陈浩泽	CHECKED
UNIT:		mm	SCALE
		1:1	SHEET: 1 of 1